

AS SEEN ON
**SHARK
TANK**

INTRODUCING THE **MELNI** CONNECTOR RATED FOR SUBMERSIBLE & DIRECT BURIAL A SMARTER CRIMPLESS CONNECTOR



THE SAFER AND FASTER ALTERNATIVE TO CRIMPING

• NO HEAT SHRINK TUBING • NO HEAT TOOLS OR OPEN FLAME • NO WELDING • NO RESIN COMPOUND

A breakthrough innovation.

- The Melni Splice Connector is a simple, smart alternative to bulky crimpers and expensive tools.
- No gravity-filled protection method is necessary and the need for cable safeguarding is eliminated.
- The patented spiral-insert technology collapses around the conductor as end caps are tightened – no crimping needed!

Ease of use and efficiency.

- Leave the expensive tools at home – tighten as required to make a reliable electrical connection
- Massive reduction in installation time. After cable/conductor prep, the Melni Connector can be installed in **LESS THAN A MINUTE!**
- No open flames, less time exposed to live wires, and decreased use of hydraulic crimpers reduce risk & increase safety during install.

REPLACE TRADITIONAL SPLICE CONNECTORS WITH A MELNI CONNECTOR – FOR USE IN SUBMERSIBLE, DIRECT BURIAL, AND LOW-GRADE APPLICATIONS

INSTALL IN SECONDS

Drastically cut time and labor with the Melni Connector & reduce the lengthy process requiring multiple measurements, tool change outs, and crimps

RATED FOR AL/CU

Excessive force and strain on muscles and joints doesn't have to be part of the job description anymore.



SUBMERSIBLE CONNECTION

The Melni Connector is waterproof with sealing caps that compress a neoprene bushing around the cable, protecting the connection inside and out.

A STANDARD WRENCH IS ALL YOU NEED!

Standard crimp connectors require bulky and expensive specialized crimpers, but we like to keep things simple – everyday wrenches are all that's needed to forge reliable electrical connections.

 **REMKE** CONNECTS YOU TO
MELNI SMARTER CRIMPLESS CONNECTORS



FOR A QUOTE CALL 847-325-7825
OR SEND EMAIL TO TJOGARA@REMKE.COM

MELNI SPLICE CONNECTOR

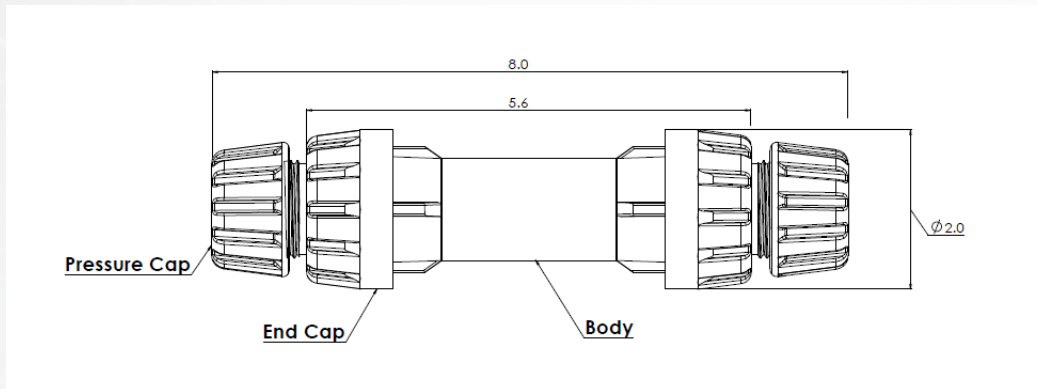
INSTALL THE MELNI CONNECTOR IN LESS THAN A MINUTE!

1. Insert stripped cable into Melni Connector.
2. Twist the end caps to tighten the patented spiral insert.
3. Tighten the waterproof caps.

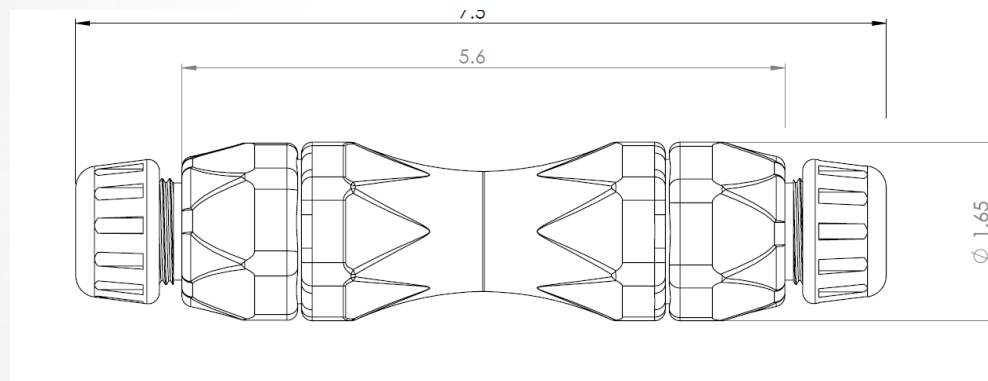


TECHNICAL DATA

Melni Connectors are used with Stranded Aluminum or Copper Wire and Rated Up to 600V.



- Wire Gauge Range of 1/0 to 2/0
- Strip Length 2.50"
- Insulation OD ≤ 0.5



- Wire Gauge Range of 4AWG to 2AWG
- Strip Length 2.25"
- Insulation OD ≤ 0.5

Remke Part# RMC-1200

Description: Butt-Splice Connector Suitable for Wire Size #1/0-#2/0, Submersible/Direct Burial

Remke Part # RMC-2400

Description: Butt-Splice Connector Suitable for Wire Size #4AWG-#2AWG, Submersible/Direct Burial



NEED HELP? CALL 847.325.7825 OR VISIT WWW.REMKE.COM/MELNI-MC

Remke Industries
310 Chaddick Drive, Wheeling, IL 60090