

## Bus Drop Tee Mini-Type

### Specifications:

#### Materials:

Contact Carrier: PVC  
 Contacts: Copper Alloy with Gold Plating  
 Housing: PVC  
 Couplers: Clear Anodized Aluminum

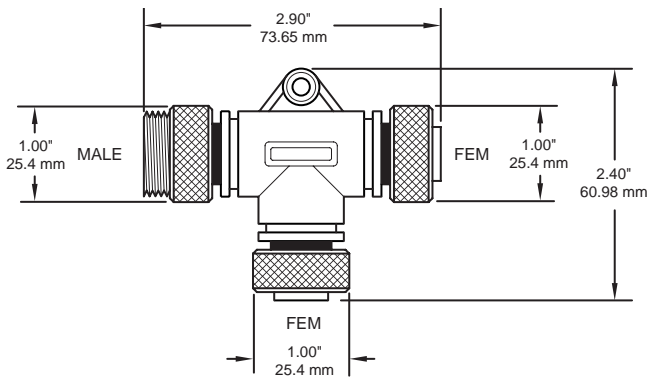
#### Electrical:

Voltage Rating: 300VAC  
 Current: 8 Amps

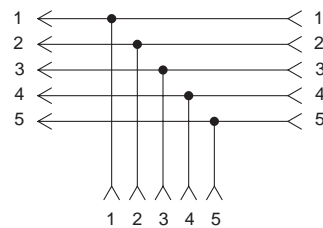
#### Environmental:

Protection: IP67  
 Operating Temp: -40° C to 105° C

### Dimensions



### Wiring Schematic



Mini Tee Part Number

DTM/MFF5

## Bus Drop Tee Micro-Type

### Specifications:

#### Materials:

Contact Carrier: PVC  
 Contacts: Copper Alloy with Gold Plating  
 Housing: PVC  
 Couplers: Clear Anodized Aluminum

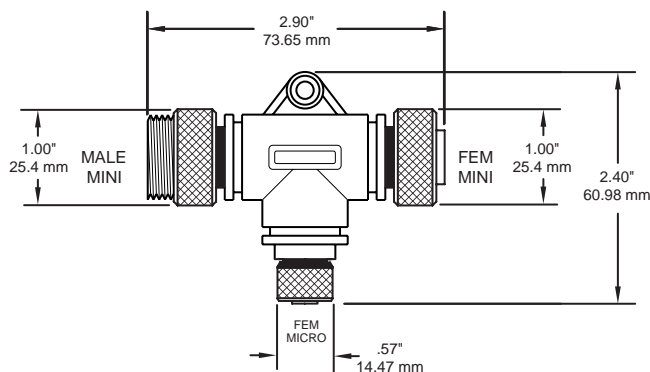
#### Electrical:

Voltage Rating: 300VAC  
 Current: 8 Amps

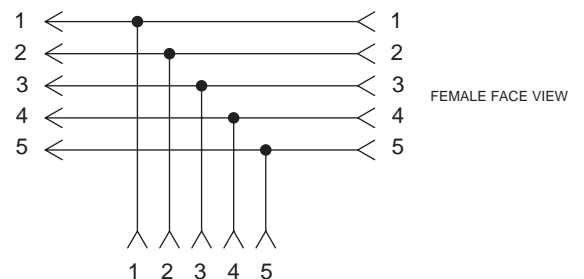
#### Environmental:

Protection: IP67  
 Operating Temp: -40° C to 105° C

### Dimensions



### Wiring Schematic



Micro Tee Part Number

DDM/MFF5