

## DeviceNet Mini-Type Receptacles Cable and Wire Versions

### Specifications:

#### Materials:

Contact Carrier:	Nitrile Rubber
Contact:	Brass, Gold Plated over Nickel
Sleeve:	Stainless Steel
Shell:	Machined Aluminum, Black Anodized
O-Ring:	Viton
Locknut:	Plated Steel
Cable Version:	DeviceNet PVC Jacketed/Shielded 80°C See Bulk Cable Page 114
Cable Diameter:	5/C - .48"
Wire Version:	#16 AWG PVC (26 x # 30 Stranding)

#### Electrical:

Voltage:	300V
Current:	See Bulk Cable Page 114

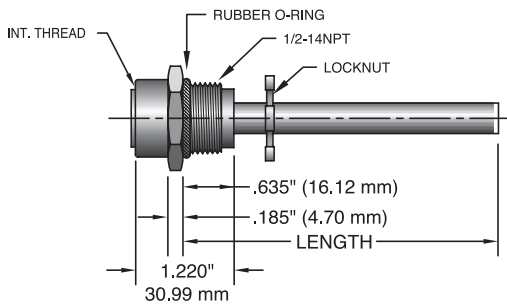
#### Environmental:

Protection:	IP68, NEMA 6P
Operating Temp:	-20 to 80°C

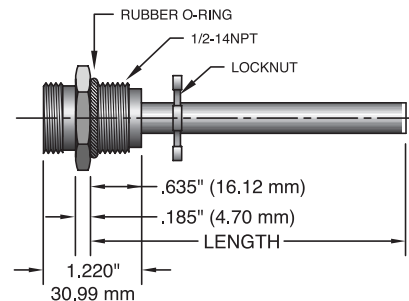
**Certifications:** Pending

### Dimensions

#### Female Receptacle



#### Male Receptacle



	MALE	FEMALE	
Face View			
Wiring Color Code	1=Drain 2=Red(V+) 3=Black(V-) 4=White(CAN_H) 5=Blue(CAN_L)	1=Drain 2=Red(V+) 3=Black(V-) 4=White(CAN_H) 5=Blue(CAN_L)	
<b>Male Receptacle w/Cable</b>	<b>Male Receptacle w/Leads</b>	<b>Female Receptacle w/Cable</b>	<b>Female Receptacle w/Leads</b>
A05AL0033DT	A05ML0010M	A05AK0033DT	A05FL0010M
Cable Length - 1 Meter	Lead Length - 12 inches	Cable Length 1 Meter	Lead Length - 12 inches

Note: See ordering information for different length/options.