

Drop (Thin) Micro-Type

Specification:

Materials:

Body:	PVC
Contact Carrier:	Zytel ST801
Contact:	Brass, Gold Plated over Nickel
Coupling Nut:	Machined Aluminum, Black Anodized
Cable:	DeviceNet PVC Jacketed/Shielded 80° C
	See Bulk Cable Page 115
Cable Diameter:	5/C-.28"

Electrical:

Voltage:	300 V
Current:	See Bulk Cable Page 115

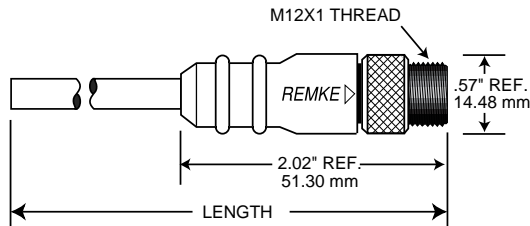
Environmental:

Protection:	IP68, NEMA 6P
Operating Temp:	- 20° to 80° C

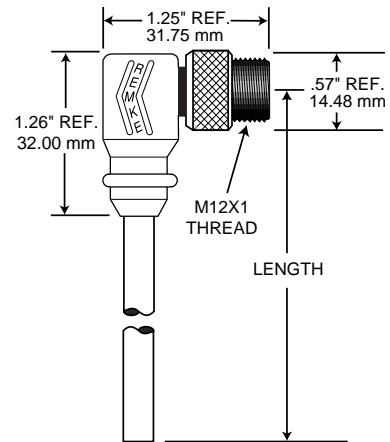
Certifications: Pending

Dimensions

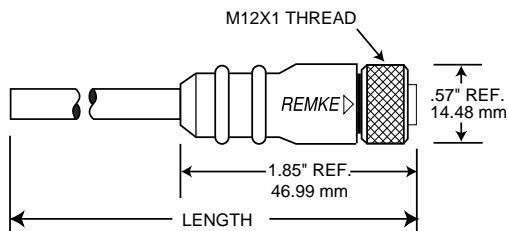
Male Straight



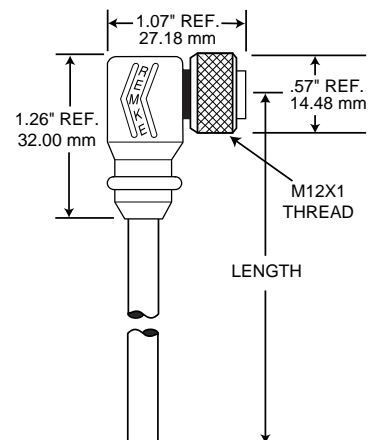
Male 90 Degree



Female Straight




Female 90 Degree



Options:

- Stainless Steel Couplers
- Non-metallic Couplers

Drop (Thin) Micro Type

	MALE	FEMALE
Face Views		
Wiring Color Code	1=Drain 2=Red(V+) 3=Black(V-) 4=White(CAN_H) 5=Blue(CAN_L)	1=Drain 2=Red(V+) 3=Black(V-) 4=White(CAN_H) 5=Blue(CAN_L)
Male Single-Ended Assemblies		
Straight Plug	2M/6.6 Ft. 4M/13.1 Ft. 5M/16.4 Ft.	B05E0066DD B05E0131DD B05E0164DD
90 Degree Plug	2M/6.6 Ft. 4M/13.1 Ft. 5M/16.4 Ft.	B05F0066DD B05F0131DD B05F0164DD
Female Single-Ended Assemblies		
Straight Plug	2M/6.6 Ft. 4M/13.1 Ft. 5M/16.4 Ft.	B05A0066DD B05A0131DD B05A0164DD
90 Degree Plug	2M/6.6 Ft. 4M/13.1 Ft. 5M/16.4 Ft.	B05C0066DD B05C0131DD B05C0164DD

Note: See ordering nomenclature for different lengths/options.