

Trunk (Thick) Mini-Type

Specifications:

Materials:

| | |
|------------------|---|
| Body: | PVC |
| Contact Carrier: | Nitrile Rubber |
| Contact Sleeve: | Stainless Steel |
| Contact: | Brass, Gold Plated over Nickel |
| Coupling Nut: | Machined Aluminum, Black Anodized |
| Cable: | DeviceNet PVC Jacketed/Shielded 80°C See Bulk Cable Page 114 |
| Cable Diameter: | 5/C - .48" |

Electrical:

| | |
|----------|-------------------------|
| Voltage: | 300V |
| Current: | See Bulk Cable Page 114 |

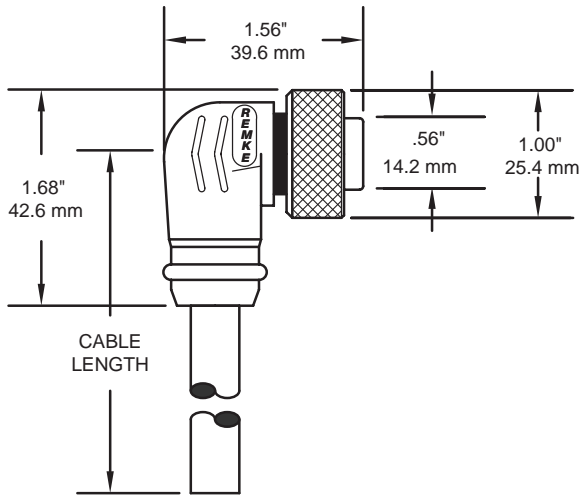
Environmental:

| | |
|-----------------|---------------|
| Protection: | IP68, NEMA 6P |
| Operating Temp: | -20 to 80°C |

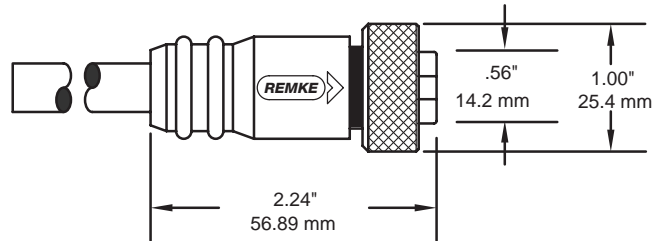
Certifications: Pending

Dimensions

Typical 90° Degree



Typical Straight



Options:

- Stainless Steel Couplers
- Non-metallic Couplers

Trunk (Thick) Mini-Type

| | MALE FACE | FEMALE FACE |
|---------------------------------------|--|--|
| Face Views | | |
| Wiring Color Code | 1=Drain 2=Red(V+) 3=Black(V-) 4=White(CAN_H) 5=Blue(CAN_L) | 1=Drain 2=Red(V+) 3=Black(V-) 4=White(CAN_H) 5=Blue(CAN_L) |
| Male Single-Ended Assemblies | | |
| Straight Plug | 2M/6.6 Ft. 4M/13.1 Ft. 5M/16.4 Ft. | A05E0066DT A05E0131DT A05E0164DT |
| 90 Degree Plug | 2M/6.6 Ft. 4M/13.1 Ft. 5M/16.4 Ft. | A05F0066DT A05F0131DT A05F0164DT |
| Female Single-Ended Assemblies | | |
| Straight Plug | 2M/6.6 Ft. 4M/13.1 Ft. 5M/16.4 Ft. | A05A0066DT A05A0131DT A05A0164DT |
| 90 Degree Plug | 2M/6.6 Ft. 4M/13.1 Ft. 5M/16.4 Ft. | A05C0066DT A05C0131DT A05C0164DT |

Note: See ordering nomenclature for different lengths/options