

Specifications

Materials:

Contact Carrier:	Zytel ST801
Contacts:	Brass, Gold Plated over Nickel
O-Ring:	Nitrile Rubber
Port Shell:	Anodized Aluminum
Housing:	Polyester
Label Materials:	Polyester

Electrical:

Voltage Rating:	300 VAC
Contact Resistance:	≤5mΩ
Current Rating:	5 amps per Outlet/ 7 amps per Unit

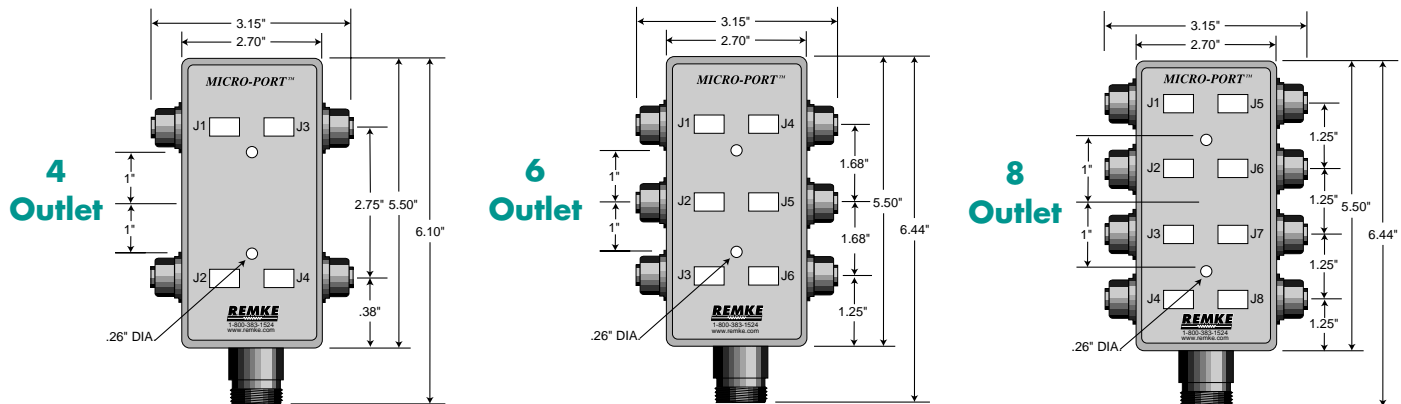
Environmental:

Protection:	IP68, NEMA 6P
Operating Temp:	-50°C to 90°C (UL) -34°C to 90°C (cRU)

Certifications:

Pending

Dimensions

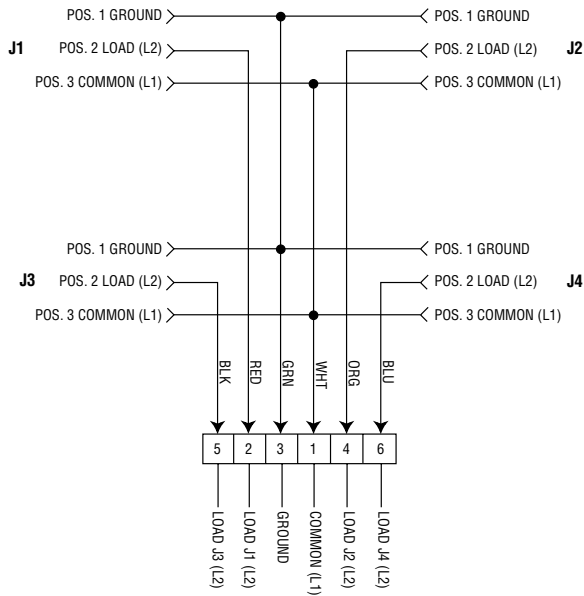


(Box height for all sizes - 1.37" / 34.80mm)

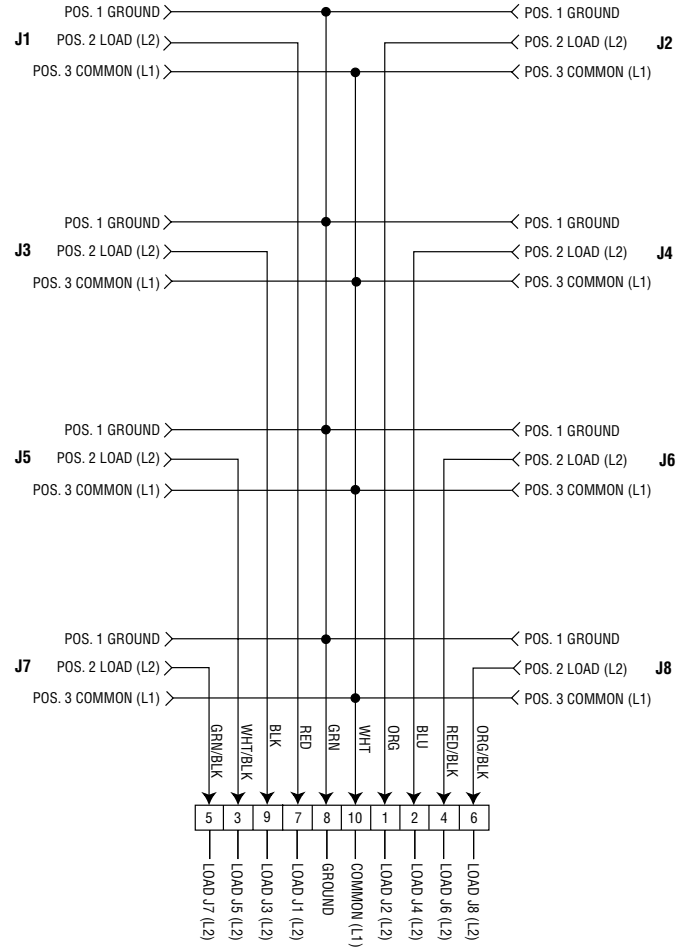
NUMBER OF PORTS	4	6	8
Description	3 Pole Parallel Wired with Connector Feed	3 Pole Parallel Wired with Connector Feed	3 Pole Parallel Wired with Connector Feed
Catalog Number	3400040	3400041	3400042
Description	3 Pole Parallel Wired with Cable Feed	3 Pole Parallel Wired with Cable Feed	3 Pole Parallel Wired with Cable Feed
Catalog Number (5M) (10M)	3400043 3400044	3400045 3400046	3400047 3400048
Feed Connector Pinout (Face View, Male)			
	Color Code/Function	Color Code/Function	Color Code/Function
	1 = White / Common (L1) 2 = Red / LOAD J1 (L2) 3 = Green Ground 4 = Orange / LOAD J2 (L2) 5 = Black / LOAD J3 (L2) 6 = Blue / LOAD J4 (L2)	1 = Orange / LOAD J2 (L2) 2 = Blue / LOAD J4 (L2) 3 = Wht./Blk. Tr. / LOAD J5 (L2) 4 = Black / LOAD J3 (L2) 5 = White / Common (L1) 6 = Red / LOAD J1 (L2) 7 = Green / Ground 8 = Red/Blk. Tr. / LOAD J6 (L2)	1 = Orange / LOAD J2 (L2) 2 = Blue / LOAD J4 (L2) 3 = Wht./Blk. Tr. / LOAD J5 (L2) 4 = Red/Blk. Tr. / LOAD J6 (L2) 5 = Green/Blk. Tr. / LOAD J7 (L2) 6 = Orange/Blk. Tr. / LOAD J8 (L2) 7 = Red / LOAD J1 (L2) 8 = Green / Ground 9 = Black / LOAD J3 (L2) 10 = White / Common (L1)

Consult factory for special configurations.

4 Outlet Wiring Schematic



8 Outlet Wiring Schematic



6 Outlet Wiring Schematic

