

## Specifications

### Materials:

Contact Carrier:	Nylon
Contacts:	Brass, Gold Plated over Nickel
O-Ring:	Viton
Shell:	Brass, Nickel Plated
Housing:	Nylon
Label Materials:	Nylon

### Electrical:

Voltage Rating:	10 to 30 VDC
Contact Resistance:	≤5mΩ
Current Rating:	4 amps per Outlet/ 12 amps per Unit

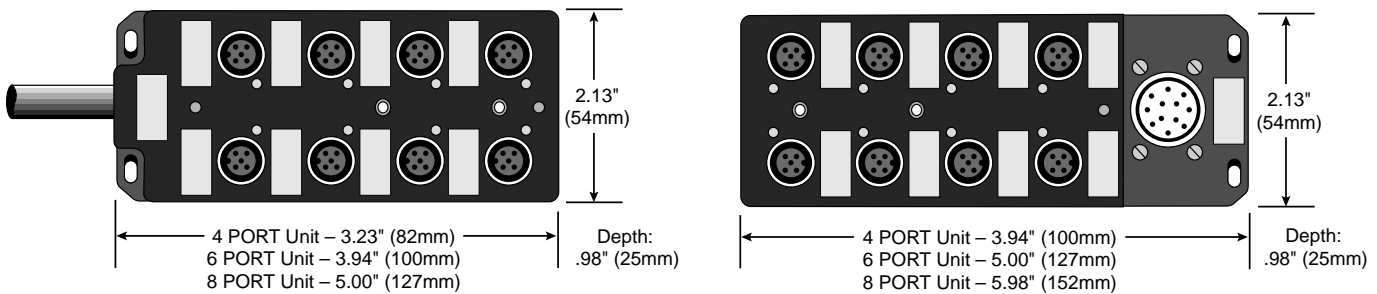
### Environmental:

Protection:	IP65
Operating Temp:	-20°C to +80°C

### Certifications:

Pending

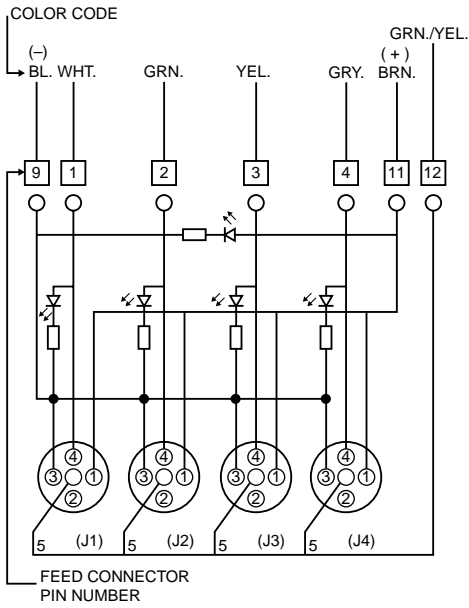
## Dimensions



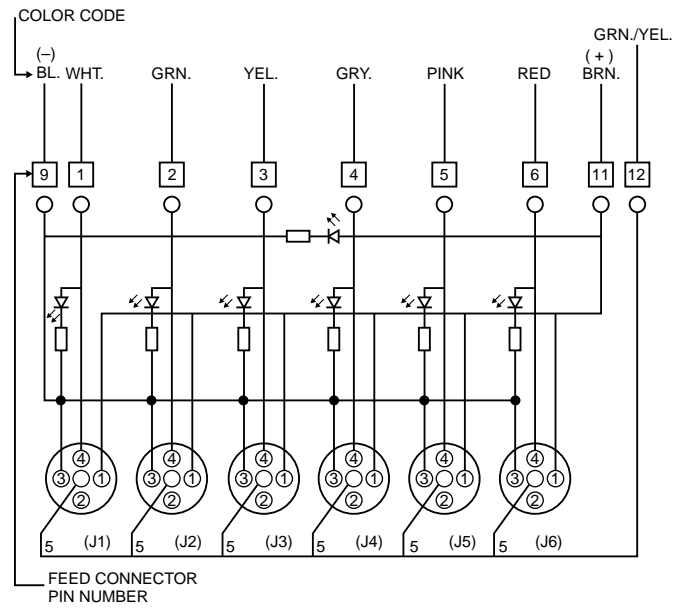
NUMBER OF PORTS	4	6	8
Description	4 Pole Parallel Wired with <b>Connector Feed</b>	4 Pole Parallel Wired with <b>Connector Feed</b>	4 Pole Parallel Wired with <b>Connector Feed</b>
Catalog Number	3400014	3400020	3400026
Description	4 Pole Parallel Wired with <b>Cable Feed</b>	4 Pole Parallel Wired with <b>Cable Feed</b>	4 Pole Parallel Wired with <b>Cable Feed</b>
Catalog Number (5M) (10M)	3400010 3400012	3400016 3400018	3400022 3400024
Feed Connector Pinout (Face View, Male)			
	<b>Color Code/Function</b>	<b>Color Code/Function</b>	<b>Color Code/Function</b>
	1 = White 2 = Green 3 = Yellow 4 = Grey 9 = Blue (-) 11 = Brown (+) 12 = Green/Yellow (PE)	1 = White 2 = Green 3 = Yellow 4 = Grey 5 = Pink 6 = Red 9 = Blue (-) 11 = Brown (+) 12 = Green/Yellow (PE)	1 = White 2 = Green 3 = Yellow 4 = Grey 5 = Pink 6 = Red 7 = Black 8 = Violet 9 = Blue (-) 10 = Blue (-) 11 = Brown (+) 12 = Green/Yellow (PE)

Consult factory for special configurations.

## 4 Outlet Wiring Schematic



## 6 Outlet Wiring Schematic



## 8 Outlet Wiring Schematic

