

Specifications

Materials:

- Body: Nitrile Rubber
- Contact: Brass, Gold Plated over Nickel
- Sleeve: Stainless Steel
- Coupling Nut: Machined Aluminum, Black Anodized (stainless steel available)
- Cable: #16 AWG NBR/PVC Rubber 65 x #34 stranding 90° C, UL Recognized SOOW, CSA Certified
- Cable Diameters: 9/C-.62", 10/C-.63", 12/C-.67"

Electrical:

- Voltage Rating: 600 VAC
- Contact Resistance: ≤5mΩ

Environmental:

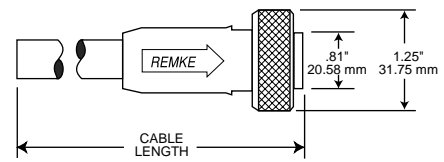
- Protection: IP68, NEMA 6P
- Operating Temp: -50°C to 90°C (UL), -34°C to 90°C (CSA)

Certifications:

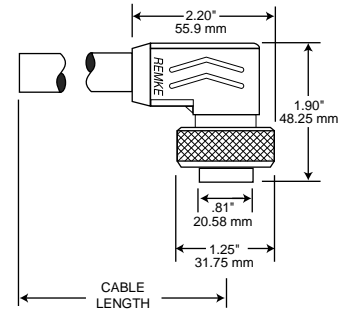


- Recognized, File No. E 165657
- Certified, File No. E 165657

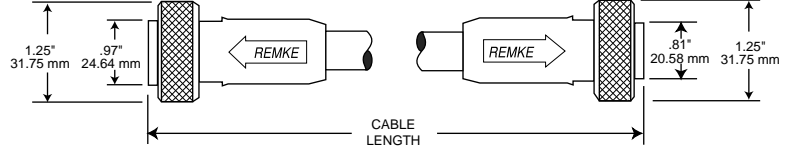
Straight Plug



90° Plug



Male/Female Cordset



Plugs and Cable Assemblies with #16 AWG SOOW-A Cable

POLES	FACE VIEW MALE	WIRING CODE	AMP RTG. @ 600V	CABLE LENGTH	MALE		FEMALE		MALE/FEMALE ASSEMBLY		
					STRAIGHT	90 DEGREE	STRAIGHT	90 DEGREE			
9		1-ORANGE	7A	3 FT	57008	57001	57001-90	57029			
		2-BLUE							57002	57002-90	57051
		3-RED-BLK. TR.							57010	57003-90	57052
		4-GREEN-BLK. TR.							57009	57043-90	57025
		5-WHITE							57007		
10		1-ORANGE	7A	3 FT	57208	57201	57201-90	57253			
		2-BLUE							57209	57202-90	57224
		3-WHT.-BLK.TR.							57210	57203-90	57250
		4-RED-BLK TR.							57235	57239-90	57212
		5-GREEN-BLK. TR.									
12		1-ORANGE	5A	3 FT	57408	57401	57401-90	57479			
		2-BLUE							57409	57402-90	57413
		3-WHT.-BLK.TR.							57410	57403-90	57446
		4-RED-BLK TR.							57425	57449-90	57424
		5-GREEN-BLK. TR.									
		6- ORG.-BLK. TR.									
		7-BLUE-BLK.TR.									
		8-BLK.-WHT.TR.									
		9-GREEN									
		10-RED									
		11-WHITE									
		12-BLACK									

Product Options: Stainless Steel Hardware can be specified - add "SS" after Catalog Number.

Consult the factory for custom cord lengths and a full range of wire management product accessories.

Specifications

Materials:

Insert Material:	Nitrile Rubber
Contact:	Brass, Gold Plated over Nickel
Sleeve:	Stainless Steel
Shell:	Machined Aluminum, Black Anodized (stainless steel available)
Wire:	#16 AWG/600 Volts 26 x #30 Stranding
"O" Ring:	Viton
Lock Nut:	Plated Steel (not pictured)

Electrical:

Voltage Rating:	600 VAC
Contact Resistance:	≤5mΩ

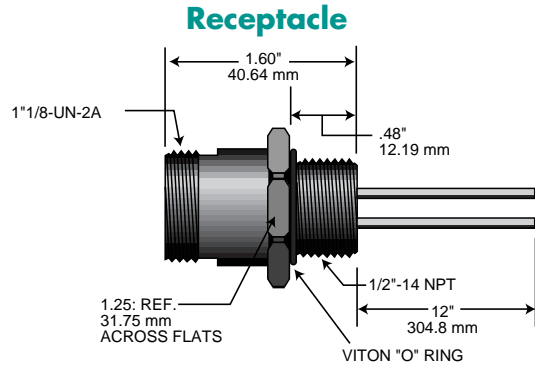
Environmental:

Protection:	IP68, NEMA 6P
Operating Temp:	-50°C to 90°C (UL), -34°C to 90°C (CSA)

Certification:



UL Recognized,
File No. E 165657
Certified,
File No. E 165657



Receptacles with 12" Pigtail Leads

POLES	FACE VIEW MALE	WIRING CODE	MALE STRAIGHT	FEMALE STRAIGHT
9		1-ORANGE 2-BLUE 3-RED-BLK. TR. 4-GREEN-BLK. TR. 5-WHITE 6-RED 7-GREEN 8-WHITE-BLK.TR. 9-BLACK	57005	57007
10		1-ORANGE 2-BLUE 3-WHT.-BLK.TR. 4-RED-BLK TR. 5-GREEN-BLK. TR. 6-ORG.-BLK. TR. 7-RED 8-GREEN 9-BLACK 10-WHITE	57205	57207
12		1-ORANGE 2-BLUE 3-WHT.-BLK. TR. 4-RED-BLK TR. 5-GREEN-BLK. TR. 6- ORG.-BLK. TR. 7-BLUE-BLK.TR. 8-BLK.-WHT.TR. 9-GREEN 10-RED 11-WHITE 12-BLACK	57405	57407

Product Options: Stainless Steel Hardware can be specified - add "SS" after Catalog Number, to specify 18 AWG Wire add "-18" after Catalog Number

Consult the factory for custom wire lengths and a full range of wire management product accessories.