

Specifications

Materials:

- Body: Nitrile Rubber
- Contact: Brass, Gold Plated over Nickel
- Sleeve: Stainless Steel
- Coupling Nut: Machined Aluminum, Black Anodized (stainless steel available)
- Cable: #16 AWG NBR/PVC Rubber 65 x #34 stranding 90° C, UL Recognized SOOW, CSACertified
- Cable Diameters: 6/C-.53", 7/C-.54", 8/C-.60"

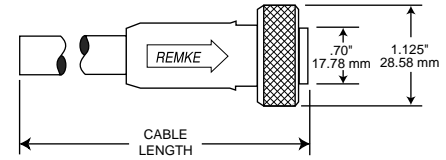
Electrical:

- Voltage Rating: 600 VAC
- Contact Resistance: ≤5mΩ

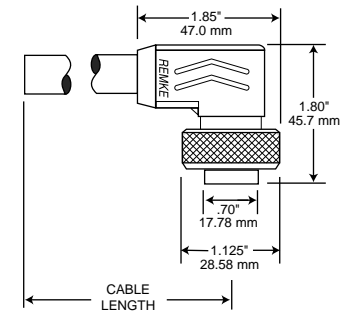
Environmental:

- Protection: IP68, NEMA 6P
- Operating Temp: -50°C to 90°C (UL), -34°C to 90°C (CSA)

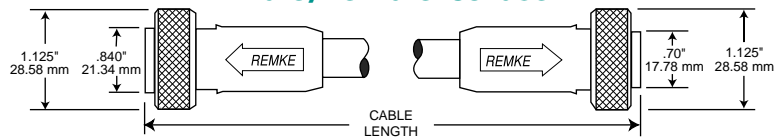
Straight Plug



90° Plug



Male/Female Cordset



Plugs and Cable Assemblies with #16 AWG SOOW-A Cable

POLES	FACE VIEW MALE	WIRING CODE	AMP RTG. @ 600V	CABLE LENGTH	MALE		FEMALE		MALE/FEMALE ASSEMBLY
					STRAIGHT	STRAIGHT	90 DEGREE		
6 B-SIZE		1-ORANGE	8A	3 FT	52608	52601	52601-90	52671	
		2-BLUE		6 FT	52609	52602	52602-90	52611	
		3-BLACK		12 FT	52610	52603	52603-90	52628	
		5-RED		20 FT	52627	52685	52685-90	52660	
		6-GREEN							
7		1-WHT.BLK. TR.	8A	3 FT	52808	52801	52801-90	52862	
		2-BLACK		6 FT	52809	52802	52802-90	52819	
		3-WHITE		12 FT	52810	52803	52803-90	52820	
		4-RED		20 FT	52872	52821	52821-90	52866	
		6-BLUE							
8		1-ORANGE	7A	3 FT	53008	53001	53001-90	53056	
		2-BLUE		6 FT	53009	53002	53002-90	53015	
		3-WHT.-BLK. TR.		12 FT	53010	53003	53003-90	53067	
		4-BLACK		20 FT	53066	53062	53062-90	53073	
		5-WHITE							
		6-RED							
		7-GREEN							
		8-RED-BLK. TR.							

Product Options: Stainless Steel Hardware can be specified - add "SS" after Catalog Number.

Consult the factory for custom cord lengths, and a full range of wire management product accessories.

Specifications

Materials:

Insert Material:	Nitrile Rubber
Contact:	Brass, Gold Plated over Nickel
Sleeve:	Stainless Steel
Shell:	Machined Aluminum, Black Anodized (stainless steel available)
Wire:	#16 AWG/600 Volts 26 x #30 Stranding
"O" Ring:	Viton
Lock Nut:	Plated Steel (not pictured)

Electrical:

Voltage Rating:	600 VAC
Contact Resistance:	≤5mΩ

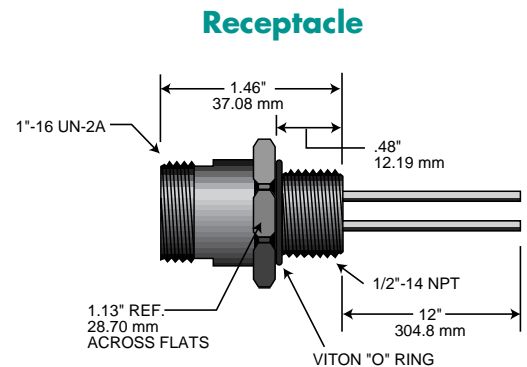
Environmental:

Protection:	IP68, NEMA 6P
Operating Temp:	-50°C to 90°C (UL), -34°C to 90°C (CSA)

Certification:



UL Recognized,
File No. E 165657
Certified,
File No. E 165657



Receptacles with 12" Pigtail Leads				
POLES	FACE VIEW MALE	WIRING CODE	MALE STRAIGHT	FEMALE STRAIGHT
6 B SIZE		1-ORANGE 2-BLUE 3-BLACK 4-WHITE 5-RED 6-GREEN	52605	52607
7		1-WHT. BLK. TR. 2-BLACK 3-WHITE 4-RED 5-ORANGE 6-BLUE 7-GREEN	52805	52807
8		1-ORANGE 2-BLUE 3-WHT.-BLK. TR. 4-BLACK 5-WHITE 6-RED 7-GREEN 8-RED-BLK. TR.	53005	53007

Product Options: Stainless Steel Hardware can be specified - add "SS" after Catalog Number; to specify 18 AWG Wire, add "-18" after the Catalog Number.

Consult the factory for custom wire lengths and a full range of wire management product accessories.