

## Specifications

### Materials:

Body:	PUR
O-Ring:	Nitrile Rubber
Contact Carrier:	Zytel ST801
Contact:	Brass, Gold Plated over Nickel
Coupling Nut:	Machined Aluminum, Clear Anodized
Cable:	#18 AWG TPE 41 x #34 Stranding, 105°C, UL Recognized, CSA Certified
Cable Diameters:	#18 AWG TPE, 2/C-.26", 3/C-.26", 4/C-.26", 5/C-.26"

### Electrical:

Voltage Rating:	300VAC
Current:	#18 AWG-5A
Contact Resistance:	≤5mΩ

### Environmental:

Protection:	IP68, NEMA 6P
Operating Temp:	
TPE:	-40°C to 105°C

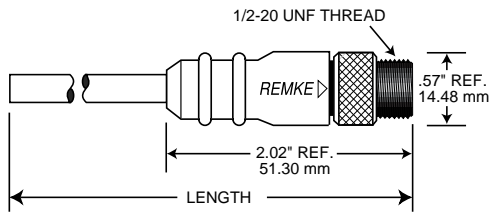
### Certifications:



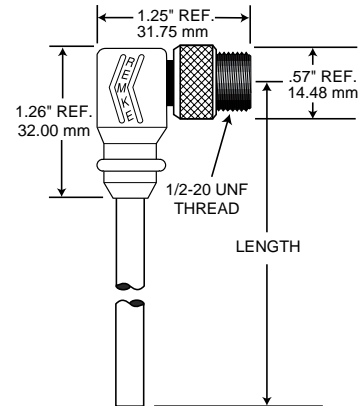
Recognized,  
File No. E165657  
Certified,  
File No. E165657

## Dimensions

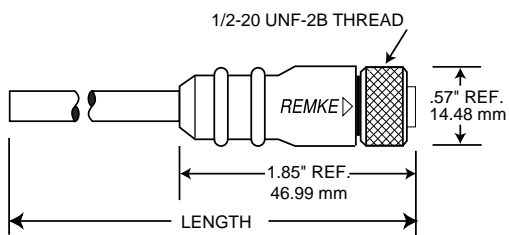
### Male Straight



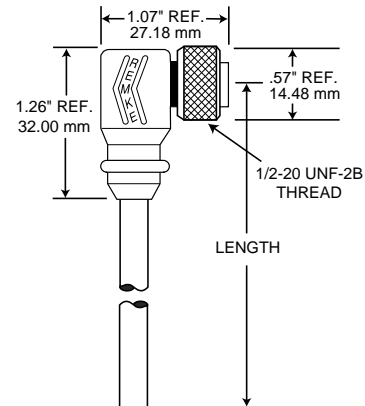
### Male 90 Degree



### Female Straight



### Female 90 Degree



### Options:

- Stainless Steel Couplers
- Plastic Couplers

NUMBER OF POLES	2	3	4	5
(Female) Contact Rotation				
Wiring Color Code	1-Brown 2-Blue	1-Green 2-Red/Black 3-Red/White	1-Red/Black 2-Red/White 3-Red 4-Green	1-Red/White 2-Red 3-Green 4-Red/Yellow 5-Red/Black
Wire Gauge (AWG)	#18 (TPE)	#18 (TPE)	#18 (TPE)	#18 (TPE)
<b>FEMALE PLUGS</b>				
<b>Straight Plug</b> 6 Ft./1.8M 12 Ft./3.6M 20 Ft./6.1M	402A0060AQ 402A0120AQ 402A0200AQ	403A0060AQ 403A0120AQ 403A0200AQ	404A0060AQ 404A0120AQ 404A0200AQ	405A0060AQ 405A0120AQ 405A0200AQ
<b>90 Degree Plug</b> 6 Ft./1.8M 12 Ft./3.6M 20 Ft./6.1M	402C0060AQ 402C0120AQ 402C0200AQ	403C0060AQ 403C0120AQ 403C0200AQ	404C0060AQ 404C0120AQ 404C0200AQ	405C0060AQ 405C0120AQ 405C0200AQ
<b>Mating Male Receptacle</b>	202P0010N	203P0010N	204P0010N	205P0010N
<b>MALE PLUGS</b>				
<b>Straight Plug</b> 6 Ft./1.8M 12 Ft./3.6M 20 Ft./6.1M	402E0060AQ 402E0120AQ 402E0200AQ	403E0060AQ 403E0120AQ 403E0200AQ	404E0060AQ 404E0120AQ 404E0200AQ	405E0060AQ 405E0120AQ 405E0200AQ
<b>90 Degree Plug</b> 6 Ft./1.8M 12 Ft./3.6M 20 Ft./6.1M	402F0060AQ 402F0120AQ 402F0200AQ	403F0060AQ 403F0120AQ 403F0200AQ	404F0060AQ 404F0120AQ 404F0200AQ	405F0060AQ 405F0120AQ 405F0200AQ
<b>Mating Female Receptacle</b>	202S0010N	203S0010N	204S0010N	205S0010N

## Specifications

### Materials:

Body: PUR  
 O-Ring: Nitrile Rubber  
 Contact Carrier: Zytel ST801  
 Contact: Brass, Gold Plated over Nickel  
 Coupling Nut: Machined Aluminum, Clear Anodized  
 Cable: #18 AWG TPE 41 x #34 Stranding, 105°C, UL Recognized, CSA Certified  
 Cable Diameters: #18 AWG TPE 2/C-.26", 3/C-.26", 4/C-.26", 5/C-.26"

### Electrical:

Voltage Rating: 300VAC  
 Current: #18 AWG-5A  
 Contact Resistance: ≤5mΩ

### Environmental:

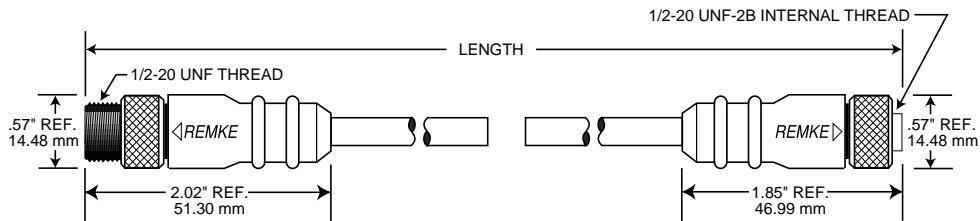
Protection: IP68, NEMA 6P  
 Operating Temp: -40°C to 105°C  
 TPE:

### Certifications:



Recognized,  
 File No. E165657  
 Certified,  
 File No. E165657

## Dimensions



NUMBER OF POLES	2	3	4	5
(Female) Contact Rotation				
Wiring Color Code	1-Brown 2-Blue	1-Green 2-Red/Black 3-Red/White	1-Red/Black 2-Red/White 3-Red 4-Green	1-Red/White 2-Red 3-Green 4-Red/Yellow 5-Red/Black
Wire Gauge (AWG)	#18 (TPE)	#18 (TPE)	#18 (TPE)	#18 (TPE)
<b>Male/Female</b>				
6 Ft/1.8M	402K0060AQ	403K0060AQ	404K0060AQ	405K0060AQ
12 Ft/3.6M	402K0120AQ	403K0120AQ	404K0120AQ	405K0120AQ
20 Ft/6.1M.	402K0200AQ	403K0200AQ	404K0200AQ	405K0200AQ

### Options:

- Stainless Steel Couplers
- Plastic Couplers
- 90 Degree Style Male or Female Bodies