

## Specifications

### Materials:

Body: PUR  
 O-Ring: Nitrile Rubber  
 Contact Carrier: Zytel ST801  
 Contact: Brass, Gold Plated over Nickel  
 Coupling Nut: Machined Aluminum, Clear Anodized  
 Cable: #22AWG PUR 26 x #36 Stranding, 80°C, or #18 AWG PUR 41 x #34 Stranding, 80°C, UL Recognized, CSA Certified  
 Cable Diameters: #22 AWG PUR wo/braid, 2/C-.17", 3/C-.18", 4/C-.19", 5/C-.21", 6/C-.22"  
 #22 AWG PUR w/braid, 2/C-.23", 3/C-.23", 4/C-.25", 5/C-.26", 6/C-.29"  
 #18 AWG PUR 2/C-.26", 3/C-.26", 4/C-.26", 5/C-.26"

### Electrical:

Voltage Rating: 300VAC  
 Current: #22 AWG-2 to 5 Pole  
 -4A, 6 Pole-3A  
 #18 AWG-5A  
 Contact Resistance: ≤5mΩ

### Environmental:

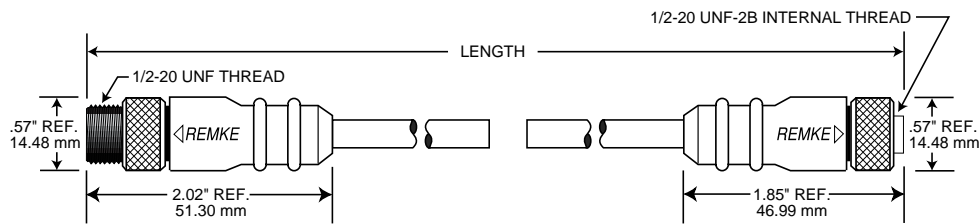
Protection: IP68, NEMA 6P  
 Operating Temp: PUR: -20°C to 80°C

### Certifications:



Recognized,  
 File No. E165657  
 Certified,  
 File No. E165657

## Dimensions



NUMBER OF POLES	2	3	4	5	6	
(Female) Contact Rotation						
Wiring Color Code	1-Brown 2-Blue	1-Green 2-Red/Black 3-Red/White	1-Red/Black 2-Red/White 3-Red 4-Green	1-Red/White 2-Red 3-Green 4-Red/Yellow 5-Red/Black	1- Red/White 2-Red 3-Green 4-Red/Yellow 5-Red/Black 6-Red/Blue	
Wire Gauge (AWG)	#22 (PUR)	#22 (PUR)	#22 (PUR)	#22 (PUR)	#22 (PUR)	
<b>Male/Female</b>						
(non-braided)	6 Ft/1.8M 12 Ft/3.6M 20 Ft/6.1M.	402K0060K 402K0120K 402K0200K	403K0060K 403K0120K 403K0200K	404K0060K 404K0120K 404K0200K	405K0060K 405K0120K 405K0200K	406K0060K 406K0120K 406K0200K
(braided)*	6 Ft/1.8M 12 Ft/3.6M	402K0060AK 402K0120AK	403K0060AK 403K0120AK	404K0060AK 404K0120AK	405K0060AK 405K0120AK	406K0060AK 406K0120AK

\* - Braid not electrically connected.

### Options:

- #18 AWG (PVC) Cord Sets (2-5 pole)
- 90 Degree Style Male or Female Bodies
- Stainless Steel Couplers
- Plastic Couplers

## Specifications

### Materials:

Body:	PUR
O-Ring:	Nitrile Rubber
Contact Carrier:	Zytel ST801
Contact:	Brass, Gold Plated over Nickel
Coupling Nut:	Machined Aluminum, Clear Anodized
Cable:	#22 AWG PUR 26 x #36 Stranding, 80°C, or #18 AWG PUR 41 x #34 Stranding, 80°C, UL Recognized, CSA Certified
Cable Diameters:	#22 AWG PUR wo/braid, 2/C-.17", 3/C-.18", 4/C-.19", 5/C-.21", 6/C-.22" #22 AWG PUR w/braid, 2/C-.23", 3/C-.23", 4/C-.25", 5/C-.26", 6/C-.29" #18 AWG PUR, 2/C-.26", 3/C-.26", 4/C-.26", 5/C-.26"

### Electrical:

Voltage Rating:	300VAC
Current:	#22 AWG-2 to 5 Pole-4A, 6 Pole-3A #18 AWG-5A
Contact Resistance:	≤5mΩ

### Environmental:

Protection:	IP68, NEMA 6P
Operating Temp:	
PUR:	-20°C to 80°C

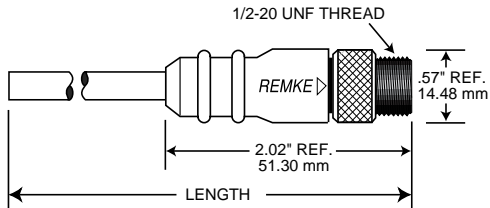
### Certifications:



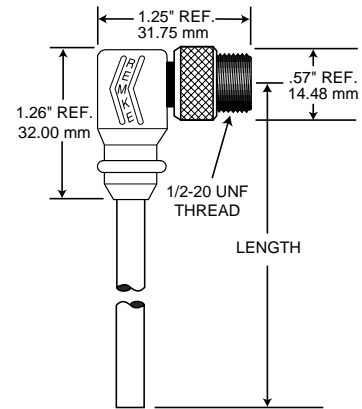
Recognized,  
File No. E165657  
Certified,  
File No. E165657

## Dimensions

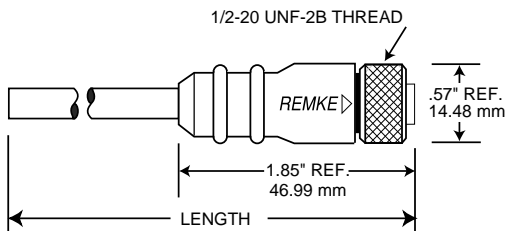
### Male Straight



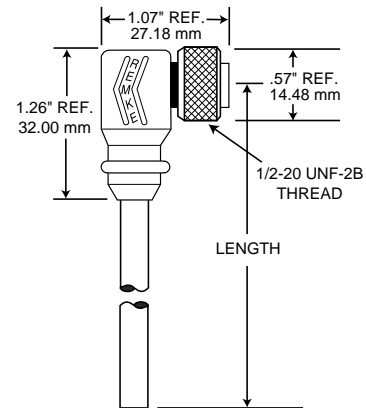
### Male 90 Degree



### Female Straight



### Female 90 Degree



### Options:

- #18 AWG (PUR) Plug Assemblies (2-5 pole)
- Stainless Steel Couplers
- Plastic Couplers

## Specifications

### Materials:

Body:	PUR
O-Ring:	Nitrile Rubber
Contact Carrier:	Zytel ST801
Contact:	Brass, Gold Plated over Nickel
Coupling Nut:	Machined Aluminum, Clear Anodized
Cable:	#22 AWG PUR 26 x #36 Stranding, 80°C, or #18 AWG PUR 41 x #34 Stranding, 80°C, UL Recognized, CSA Certified
Cable Diameters:	#22 AWG PUR wo/braid, 2/C-.17", 3/C-.18", 4/C-.19", 5/C-.21", 6/C-.22" #22 AWG PUR w/braid, 2/C-.23", 3/C-.23", 4/C-.25", 5/C-.26", 6/C-.29" #18 AWG PUR, 2/C-.26", 3/C-.26", 4/C-.26", 5/C-.26"

### Electrical:

Voltage Rating:	300VAC
Current:	#22 AWG-2 to 5 Pole-4A, 6 Pole-3A #18 AWG-5A
Contact Resistance:	≤5mΩ

### Environmental:

Protection:	IP68, NEMA 6P
Operating Temp:	
PUR:	-20°C to 80°C

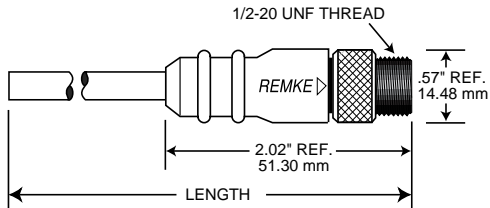
### Certifications:



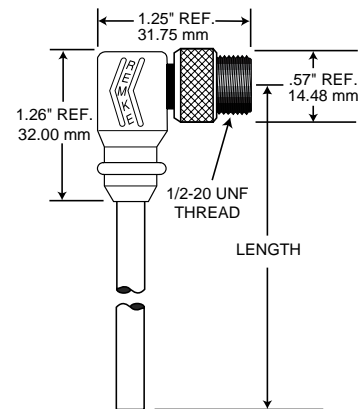
Recognized,  
File No. E165657  
Certified,  
File No. E165657

## Dimensions

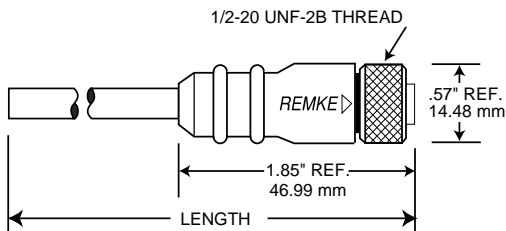
### Male Straight



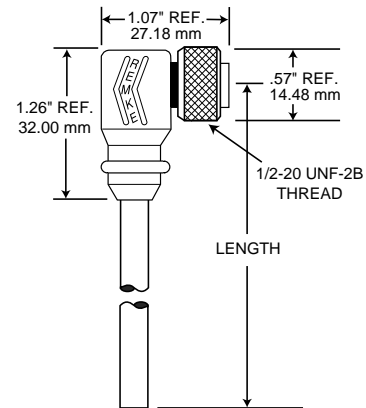
### Male 90 Degree



### Female Straight



### Female 90 Degree



### Options:

- #18 AWG (PUR) Plug Assemblies (2-5 pole)
- Stainless Steel Couplers
- Plastic Couplers

NUMBER OF POLES	2	3	4	5	6	
(Female) Contact Rotation						
Wiring Color Code	1-Brown 2-Blue	1-Green 2-Red/Black 3-Red/White	1-Red/Black 2-Red/White 3-Red 4-Green	1-Red/White 2-Red 3-Green 4-Red/Yellow 5-Red/Black	1-Red/White 2-Red 3-Green 4-Red/Yellow 5-Red/Black 6-Red/Blue	
Wire Gauge (AWG)#	22 (PUR)	#22 (PUR)	#22 (PUR)	#22 (PUR)	#22 (PUR)	
<b>FEMALE PLUGS</b>						
<b>Straight Plug</b>						
(non-braided)	6 Ft/1.8M 12 Ft/3.6M 20 Ft/6.1M	402A0060K 402A0120K 402A0200K	403A0060K 403A0120K 403A0200K	404A0060K 404A0120K 404A0200K	405A0060K 405A0120K 405A0200K	406A0060K 406A0120K 406A0200K
(braided)*	6 Ft/1.8M 12 Ft/3.6M 20 Ft/6.1M	402A0060AK 402A0120AK 402A0200AK	403A0060AK 403A0120AK 403A0200AK	404A0060AK 404A0120AK 404A0200AK	405A0060AK 405A0120AK 405A0200AK	406A0060AK 406A0120AK 406A0200AK
<b>90 Degree Plug</b>						
(non-braided)	6 Ft/1.8M 12 Ft/13.6M 20 Ft/6.1M	402C0060K 402C0120K 402C0200K	403C0060K 403C0120K 403C0200K	404C0060K 404C0120K 404C0200K	405C0060K 405C0120K 405C0200K	406C0060K 406C0120K 406C0200K
(braided)*	6 Ft/1.8M 12 Ft/3.6M 20 Ft/6.1M	402C0060AK 402C0120AK 402C0200AK	403C0060AK 403C0120AK 403C0200AK	404C0060AK 404C0120AK 404C0200AK	405C0060AK 405C0120AK 405C0200AK	406C0060AK 406C0120AK 406C0200AK
<b>Mating Male Receptacle</b>						
	202P0010P	203P0010P	204P0010P	205P0010P	206P0010P	
<b>MALE PLUGS</b>						
<b>Straight Plug</b>						
(non-braided)	6 Ft/1.8M 12 Ft/3.6M 20 Ft/6.1M	402E0060K 402E0120K 402E0200K	403E0060K 403E0120K 403E0200K	404E0060K 404E0120K 404E0200K	405E0060K 405E0120K 405E0200K	406E0060K 406E0120K 406E0200K
(braided)*	6 Ft/1.8M 12 Ft/3.6M 20 Ft/6.1M	402E0060AK 402E0120AK 402E0200AK	403E0060AK 403E0120AK 403E0200AK	404E0060AK 404E0120AK 404E0200AK	405E0060AK 405E0120AK 405E0200AK	406E0060AK 406E0120AK 406E0200AK
<b>90 Degree Plug</b>						
(non-braided)	6 Ft/1.8M 12 Ft/3.6M 20 Ft/6.1M	402F0060K 402F0120K 402F0200K	403F0060K 403F0120K 403F0200K	404F0060K 404F0120K 404F0200K	405F0060K 405F0120K 405F0200K	406F0060K 406F0120K 406F0200K
(braided)*	6 Ft/1.8M 12 Ft/3.6M 20 Ft/6.1M	402F0060AK 402F0120AK 402F0200AK	403F0060AK 403F0120AK 403F0200AK	404F0060AK 404F0120AK 404F0200AK	405F0060AK 405F0120AK 405F0200AK	406F0060AK 406F0120AK 406F0200AK
<b>Mating Female Receptacle</b>						
	202S0010P	203S0010P	204S0010P	205S0010P	206S0010P	

\* - Braid not electrically connected.