

## Specifications

### Materials:

Body:	PVC
O-Ring:	Nitrile Rubber
Contact Carrier:	Zytel ST801
Contact:	Brass, Gold Plated over Nickel
Coupling Nut:	Machined Aluminum, Clear Anodized
Cable:	#22 AWG PVC 26 x #36 Stranding, 105°C, or #18 AWG PVC 41 x #34 Stranding, 105°C, UL Recognized, CSA Certified
Cable Diameters:	#22 AWG PVC w/o/braid, 2/C-.17", 3/C-.18", 4/C-.19", 5/C-.21", 6/C-.22" #22 AWG PVC w/braid, 2/C-.23", 3/C-.23", 4/C-.25", 5/C-.26", 6/C-.29" #18 AWG PVC, 2/C-.29", 3/C-.29", 4/C-.29", 5/C-.29"

### Electrical:

Voltage Rating:	300VAC
Current:	#22 AWG-2 to 5 Pole-4A, 6 Pole-3A #18 AWG-5A
Contact Resistance:	≤5mΩ

### Environmental:

Protection:	IP68, NEMA 6P
Operating Temp:	
PVC:	-20°C to 105°C

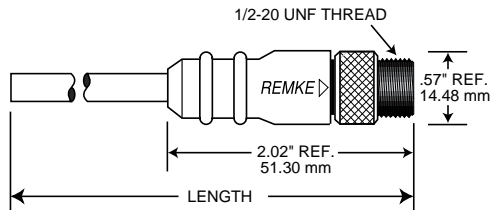
### Certifications:



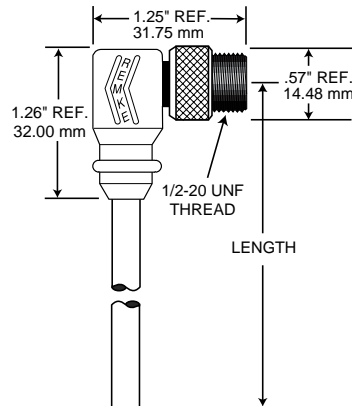
Recognized,  
File No. E165657  
Certified,  
File No. E165657

## Dimensions

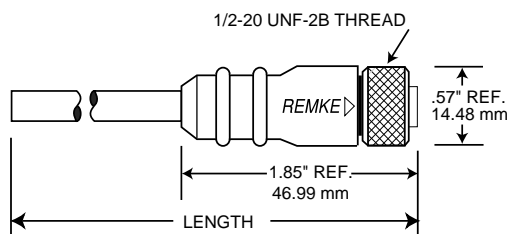
### Male Straight



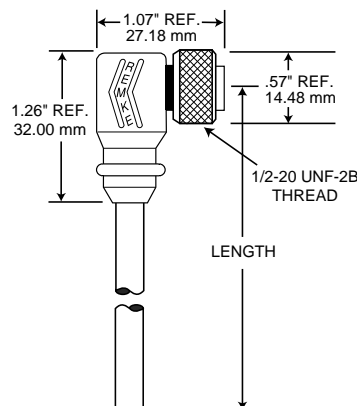
### Male 90 Degree



### Female Straight



### Female 90 Degree



### Options:

- #18 AWG (PVC) Plug Assemblies (2-5 pole)
- Stainless Steel Couplers
- Plastic Couplers

NUMBER OF POLES	2	3	4	5	6	
(Female) Contact Rotation						
Wiring Color Code	1-Brown 2-Blue	1-Green 2-Red/Black 3-Red/White	1-Red/Black 2-Red/White 3-Red 4-Green	1-Red/White 2-Red 3-Green 4-Red/Yellow 5-Red/Black	1-Red/White 2-Red 3-Green 4-Red/Yellow 5-Red/Black 6-Red/Blue	
Wire Gauge (AWG)	#22 (PVC)	#22 (PVC)	#22 (PVC)	#22 (PVC)	#22 (PVC)	
<b>FEMALE PLUGS</b>						
<b>Straight Plug</b>						
(non-braided)	6 Ft/1.8M 12 Ft/3.6M 20 Ft/6.1M	202A0060T 202A0120T 202A0200T	203A0060T 203A0120T 203A0200T	204A0060T 204A0120T 204A0200T	205A0060T 205A0120T 205A0200T	206A0060T 206A0120T 206A0200T
(braided)*	6 Ft/1.8M 12 Ft/3.6M 20 Ft/6.1M	202A0060G 202A0120G 202A0200G	203A0060G 203A0120G 203A0200G	204A0060G 204A0120G 204A0200G	205A0060G 205A0120G 205A0200G	206A0060G 206A0120G 206A0200G
<b>90 Degree Plug</b>						
(non-braided)	6 Ft/1.8M 12 Ft/3.6M 20 Ft/6.1M	202C0060T 202C0120T 202C0200T	203C0060T 203C0120T 203C0200T	204C0060T 204C0120T 204C0200T	205C0060T 205C0120T 205C0200T	206C0060T 206C0120T 206C0200T
(braided)*	6 Ft/1.8M 12 Ft/3.6M 20 Ft/6.1M	202C0060G 202C0120G 202C0200G	203C0060G 203C0120G 203C0200G	204C0060G 204C0120G 204C0200G	205C0060G 205C0120G 205C0200G	206C0060G 206C0120G 206C0200G
<b>Mating Male Receptacle</b>						
		202P0010P	203P0010P	204P0010P	205P0010P	206P0010P
<b>MALE PLUGS</b>						
<b>Straight Plug</b>						
(non-braided)	6 Ft/1.8M 12 Ft/3.6M 20 Ft/6.1M	202E0060T 202E0120T 202E0200T	203E0060T 203E0120T 203E0200T	204E0060T 204E0120T 204E0200T	205E0060T 205E0120T 205E0200T	206E0060T 206E0120T 206E0200T
(braided)*	6 Ft/1.8M 12 Ft/3.6M 20 Ft/6.1M	202E0060G 202E0120G 202E0200G	203E0060G 203E0120G 203E0200G	204E0060G 204E0120G 204E0200G	205E0060G 205E0120G 205E0200G	206E0060G 206E0120G 206E0200G
<b>90 Degree Plug</b>						
(non-braided)	6 Ft/1.8M 12 Ft/3.6M 20 Ft/6.1M	202F0060T 202F0120T 202F0200T	203F0060T 203F0120T 203F0200T	204F0060T 204F0120T 204F0200T	205F0060T 205F0120T 205F0200T	206F0060T 206F0120T 206F0200T
(braided)*	6 Ft/1.8M 12 Ft/3.6M 20 Ft/6.1M	202F0060G 202F0120G 202F0200G	203F0060G 203F0120G 203F0200G	204F0060G 204F0120G 204F0200G	205F0060G 205F0120G 205F0200G	206F0060G 206F0120G 206F0200G
<b>Mating Female Receptacle</b>						
		202S0010P	203S0010P	204S0010P	205S0010P	206S0010P

\* - Braid not electrically connected.

## Specifications

### Materials:

Body:	PVC
O-Ring:	Nitrile Rubber
Contact Carrier:	Zytel ST801 Contact: Brass, Gold Plated over Nickel
Coupling Nut:	Machined Aluminum, Clear Anodized
Cable:	#22AWG PVC 26 x #36 Stranding, 105°C, or #18 AWG PVC 41 x #34 Stranding, 105°C, UL Recognized, CSA Certified
Cable Diameters:	#22 AWG PVC wo/braid, 2/C-.17", 3/C-.18", 4/C-.19", 5/C-.21", 6/C-.22" #22 AWG PVC w/braid, 2/C-.23", 3/C-.23", 4/C-.25", 5/C-.26", 6/C-.29" #18 AWG PVC 2/C-.29", 3/C-.29", 4/C-.29", 5/C-.29"

### Electrical:

Voltage Rating:	300VAC
Current:	#22 AWG-2 to 5 Pole -4A, 6 Pole-3A #18 AWG-5A
Contact Resistance:	≤5mΩ

### Environmental:

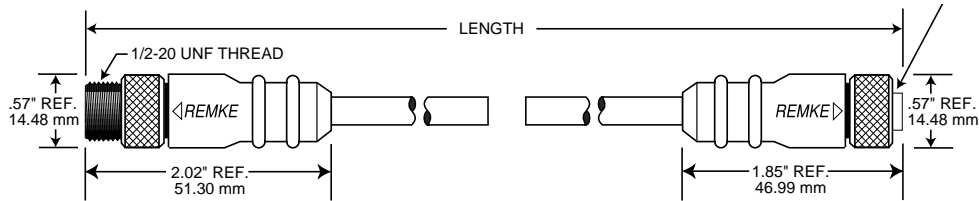
Protection:	IP68, NEMA 6P
Operating Temp:	TPE: -50°C to 90°C (UL) -34°C to 90°C (CSA)

### Certifications:



Recognized,  
File No. E165657  
Certified,  
File No. E165657

## Dimensions



NUMBER OF POLES	2	3	4	5	6	
(Female) Contact Rotation						
Wiring Color Code	1-Brown 2-Blue	1-Green 2-Red/Black 3-Red/White	1-Red/Black 2-Red/White 3-Red 4-Green	1-Red/White 2-Red 3-Green 4-Red/Yellow 5-Red/Black	1-Red/White 2-Red 3-Green 4-Red/Yellow 5-Red/Black 6-Red/Blue	
Wire Gauge (AWG)	#22 (PVC)	#22 (PVC)	#22 (PVC)	#22 (PVC)	#22 (PVC)	
<b>Male/Female</b>						
(non-braided)	6 Ft/1.8M 12 Ft/3.6M 20 Ft/6.1M.	202K0060T 202K0120T 202K0200T	203K0060T 203K0120T 203K0200T	204K0060T 204K0120T 204K0200T	205K0060T 205K0120T 205K0200T	206K0060T 206K0120T 206K0200T
(braided)*	6 Ft/1.8M 12 Ft/3.6M 20 Ft/6.1M	202K0060G 202K0120G 202K0200G	203K0060G 203K0120G 203K0200G	204K0060G 204K0120G 204K0200G	205K0060G 205K0120G 205K0200G	206K0060G 206K0120G 206K0200G

\* - Braid not electrically connected.

### Options:

- #18 AWG (PVC) Cord Sets (2-5 pole)
- Stainless Steel Couplers
- Plastic Couplers
- 90 Degree Style Male or Female Bodies