

Specifications

Materials:

Insert Material:	Zytel ST801
O-Ring:	Nitrile Rubber
Contact:	Brass, Gold Plated over Nickel
Shell:	Machined Aluminum, Black Anodized
Lock Nut:	Plated Steel (not pictured)
Wire:	#22 AWG PVC Insulated 26 x #36 Stranding, 80°C

Electrical:

Voltage Rating:	300VAC
Current:	#22 AWG-4A #18 AWG-5A
Contact Resistance:	≤5mΩ

Environmental:

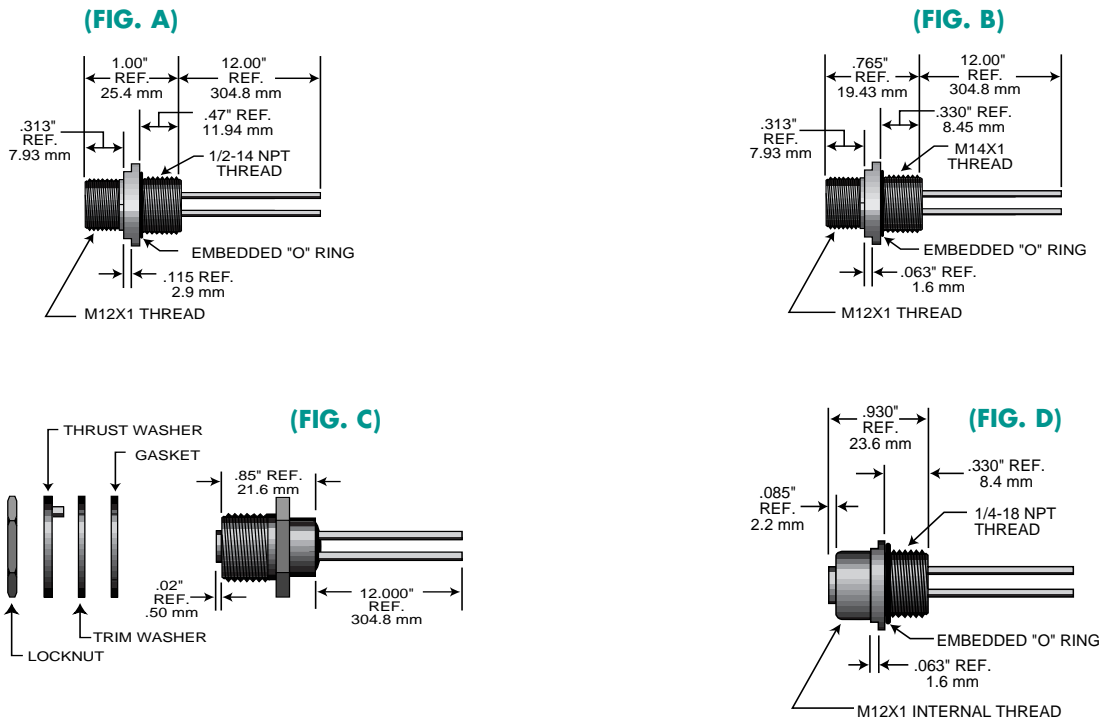
Protection:	IP68, NEMA 6P
Operating Temp:	-20°C to 80°C

Certifications:



Recognized,
File No. E165657
Certified,
File No. E165657

Dimensions



Options

- #18 AWG (PVC) Leads
- Stainless Steel Shells
(n/a on back panel mount styles)

MALE			
NUMBER OF POLES	3	4	5
(Male) Contact Rotation			
Wiring Color Code	1-Brown 2-Not Used 3-Blue 4-Black	1-Brown 2-White 3-Blue 4-Black	1-Brown 2-White 3-Blue 4-Black 5-Gray
Wire Gauge (AWG)	#22 (PVC)	#22 (PVC)	#22 (PVC)
1/2" NPT (FIG. A)	303P0010P	304P0010P	305P0010P
M14 X 1 (FIG. B)	303T0010P	304T0010P	305T0010P
FEMALE			
(Female) Contact Rotation			
Wiring Color Code	1-Brown 2-Not Used 3-Blue 4-Black	1-Brown 2-White 3-Blue 4-Black	1-Brown 2-White 3-Blue 4-Black 5-Gray
Wire Gauge (AWG)	#22 (PVC)	#22 (PVC)	#22 (PVC)
1/4" NPT (FIG. D)	303S0010P	304S0010P	305S0010P
Back Panel Mount (#18 AWG) (FIG.C)	303W0010N	304W0010N	305W0010N

NOTE: For use w/ shielded cordsets, add Suffix "9" (ex: 303P0010P9).

Options

- #18 AWG (PVC) Leads
- Stainless Steel Shells
(n/a on back panel mount styles)