

Specifications

Materials:

Body:	PUR
O-Ring:	Nitrile Rubber
Contact Carrier:	Zytel ST801
Contact:	Brass, Gold Plated over Nickel
Coupling Nut:	Machined Aluminum, Black Anodized
Cable:	#18 AWG TPE 41 x #34 Stranding, 105°C, UL Recognized, CSA Certified
Cable Diameters:	#18 AWG TPE, 3/C-.26", 4/C-.26", 5/C-.26"

Electrical:

Voltage Rating:	300 VAC
Current Rating:	#18 AWG-5A
Contact Resistance:	≤5mΩ

Environmental:

Protection:	IP68, NEMA 6P
Operating Temp:	
TPE:	-40°C to 105°C

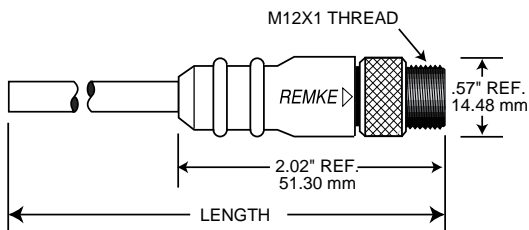
Certifications:



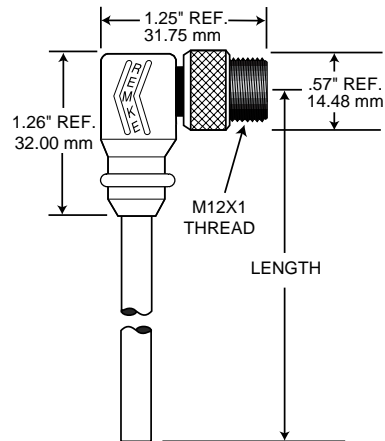
Recognized,
File No. E165657
Certified,
File No. E165657

Dimensions

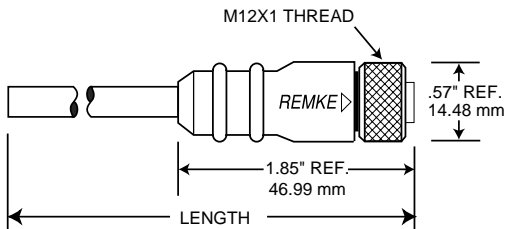
Male Straight



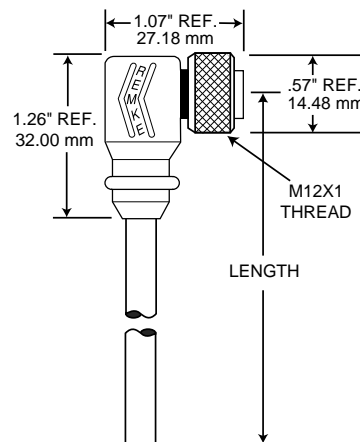
Male 90 Degree



Female Straight



Female 90 Degree



Options:

- Stainless Steel Couplers
- Plastic Couplers

NUMBER OF POLES	3	4	5
(Female) Contact Rotation			
Wiring Color Code	1-Brown 2-Not Used 3-Blue 4-Black	1-Brown 2-White 3-Blue 4-Black	1-Brown 2-White 3-Blue 4-Black 5-Gray
Wire Gauge (AWG)	#18 (TPE)	#18 (TPE)	#18 (TPE)
FEMALE PLUGS			
Straight Plug 2M/6.6 Ft. 4M/13.1 Ft. 5M/16.4 Ft.	503A0066AR 503A0131AR 503A0164AR	504A0066AR 504A0131AR 504A0164AR	505A0066AR 505A0131AR 505A0164AR
90 Degree Plug 2M/6.6 Ft. 4M/13.1 Ft. 5M/16.4 Ft.	503C0066AR 503C0131AR 503C0164AR	504C0066AR 504C0131AR 504C0164AR	505C0066AR 505C0131AR 505C0164AR
Mating Male Receptacle	303P0010N	304P0010N	305P0010N
MALE PLUGS			
Straight Plug 2M/6.6 Ft. 4M/13.1 Ft. 5M/16.4 Ft.	503E0066AR 503E0131AR 503E0164AR	504E0066AR 504E0131AR 504E0164AR	505E0066AR 505E0131AR 505E0164AR
90 Degree Plug 2M/6.6 Ft. 4M/13.1 Ft. 5M/16.4 Ft.	503F0066AR 503F0131AR 503F0164AR	504F0066AR 504F0131AR 504F0164AR	505F0066AR 505F0131AR 505F0164AR
Mating Female Receptacle	303S0010N	304S0010N	305S0010N

Specifications

Materials:

Body:	PUR
O-Ring:	Nitrile Rubber
Contact Carrier:	Zytel ST801
Contact:	Brass, Gold Plated over Nickel
Coupling Nut:	Machined Aluminum, Black Anodized
Cable:	#18 AWG TPE 41 x #34 Stranding, 105°C, UL Recognized, CSA Certified
Cable Diameters:	#18 AWG TPE, 3/C-.26", 4/C-.26", 5/C-.26"

Electrical:

Voltage Rating:	300VAC
Current:	#18 AWG-5A
Contact Resistance:	≤5mΩ

Environmental:

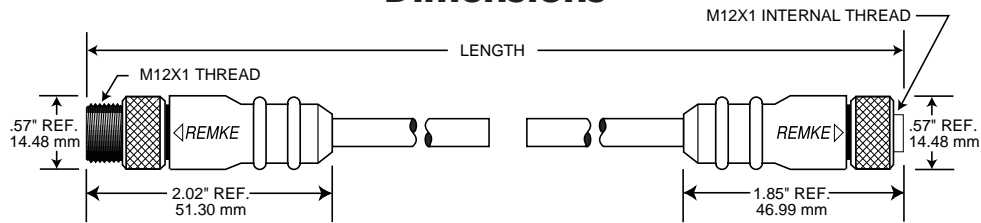
Protection:	IP68, NEMA 6P
Operating Temp:	
TPE:	-40°C to 105°C

Certifications:



Recognized,
File No. E165657
Certified,
File No. E165657

Dimensions



NUMBER OF POLES	3	4	5
(Female) Contact Rotation			
Wiring Color Code	1-Brown 2-Not Used 3-Blue 4-Black	1-Brown 2-White 3-Blue 4-Black	1-Brown 2-White 3-Blue 4-Black 5-Gray
Wire Gauge (AWG)	#18 (TPE)	#18 (TPE)	#18 (TPE)
Male/Female			
2M/6.6 Ft.	503K0066AR	504K0066AR	505K0066AR
4M/13.1 Ft.	503K0131AR	504K0131AR	505K0131AR
5M/16.4 Ft.	503K0164AR	504K0164AR	505K0164AR

Options:

- Stainless Steel Couplers
- Plastic Couplers
- 90° Style Male or Female bodies