

Specifications

Materials:

Body:	PUR
O-Ring:	Nitrile Rubber
Contact Carrier:	Zytel ST801
Contact:	Brass, Gold Plated over Nickel
Coupling Nut:	Machined Aluminum, Black Anodized
Cable:	#22 AWG PUR 26 x #36 Stranding, 80°C, or #18 AWG PUR 41 x #34 Stranding, 80°C, UL Recognized, CSA Certified
Cable Diameters:	#22 AWG PUR without braid, 3/C-.18", 4/C-.19", 5/C-.21" #22 AWG PUR with braid, 3/C-.22", 4/C-.25", 5/C-.26" #18 AWG PUR, 3/C-.25", 4/C-.25", 5/C-.26"

Electrical:

Voltage Rating:	300VAC
Current:	#22 AWG-4A #18 AWG-5A
Contact Resistance:	≤5mΩ

Environmental:

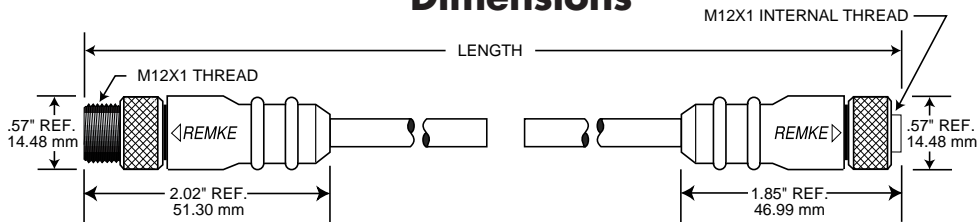
Protection:	IP68, NEMA 6P
Operating Temp:	PUR: -20°C to 80°C

Certifications:



Recognized,
File No. E165657
Certified,
File No. E165657

Dimensions



NUMBER OF POLES	3	4	5
(Female) Contact Rotation			
Wiring Color Code	1-Brown 2-Not Used 3-Blue 4-Black	1-Brown 2-White 3-Blue 4-Black	1-Brown 2-White 3-Blue 4-Black 5-Gray
Wire Gauge (AWG)	# 22 (PUR)	# 22 (PUR)	# 22 (PUR)
Male/Female			
(non-braided)	2M/6.6 Ft. 4M/13.1 Ft. 5M/16.4 Ft.	503K0066L 503K0131L 503K0164L	504K0066L 504K0131L 504K0164L
(braided)	2M/6.6 Ft. 4M/13.1 Ft. 5M/16.4 Ft.	503K0066AL 503K0131AL 503K0164AL	505K0066AL 505K0131AL 505K0164AL

* - Braid not electrically connected.

Options:

- #18 WG (PUR) Cord Sets
- Stainless Steel Couplers
- Plastic Couplers
- 90° Style Male or Female bodies

Specifications

Materials:

Body:	PUR
O-Ring:	Nitrile Rubber
Contact Carrier:	Zytel ST801
Contact:	Brass, Gold Plated over Nickel
Coupling Nut:	Machined Aluminum, Black Anodized
Cable:	#22 AWG PUR 26 x #36 Stranding, 80°C or #18 AWG PUR 41 x #34 Stranding, 80°C, UL Recognized, CSA Certified
Cable Diameters:	#22 AWG PUR without braid, 3/C -.18", 4/C -.19", 5/C-.21" #22 AWG PUR with braid, 3/C-.23", 4/C-.25", 5/C-.26" #18 AWG PUR, 3/C-.26", 4/C-.26", 5/C-.26"

Electrical:

Voltage Rating:	300 VAC
Current Rating:	#22 AWG-4A #18 AWG-5A
Contact Resistance:	≤5mΩ

Environmental:

Protection:	IP68, NEMA 6P
Operating Temp:	PUR: -20°C to 80°C

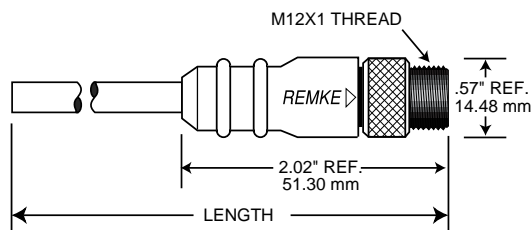
Certifications:



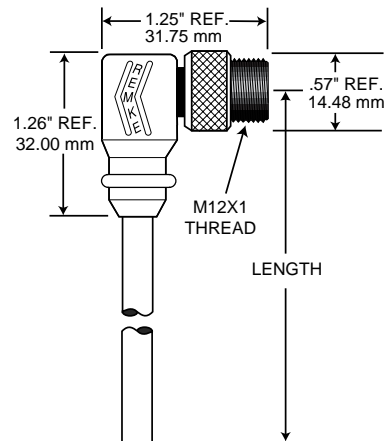
Recognized,
File No. E165657
Certified,
File No. E165657

Dimensions

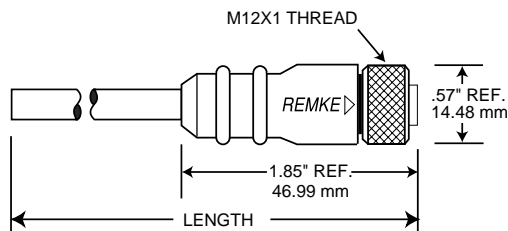
Male Straight



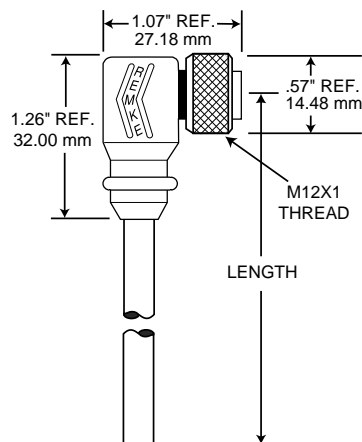
Male 90 Degree



Female Straight



Female 90 Degree



Options:

- #18 AWG (PUR) Plug Assemblies
- Stainless Steel Couplers
- Plastic Couplers

NUMBER OF POLES	3	4	5
(Female) Contact Rotation			
Wiring Color Code	1-Brown 2-Not Used 3-Blue 4-Black	1-Brown 2-White 3-Blue 4-Black	1-Brown 2-White 3-Blue 4-Black 5-Gray
Wire Gauge (AWG)	#22 (PUR)	#22 (PUR)	#22 (PUR)
FEMALE PLUGS			
Straight Plug			
(non-braided)	2M/6.6 Ft. 4M/13.1 Ft. 5M/16.4 Ft.	503A0066L 503A0131L 503A0164L	504A0066L 504A0131L 504A0164L
(braided)*	2M/6.6 Ft. 4M/13.1 Ft. 5M/16.4 Ft.	503A0066AL 503A0131AL 503A0164AL	504A0066AL 504A0131AL 504A0164AL
90 Degree Plug			
(non-braided)	2M/6.6 Ft. 4M/13.1 Ft. 5M/16.4 Ft.	503C0066L 503C0131L 503C0164L	504C0066L 504C0131L 504C0164L
(braided)*	2M/6.6 Ft. 4M/13.1 Ft. 5M/16.4 Ft.	503C0066AL 503C0131AL 503C0164AL	504C0066AL 504C0131AL 504C0164AL
Mating Male Receptacle	303P0010P	304P0010P	305P0010P
MALE PLUGS			
Straight Plug			
(non-braided)	2M/6.6 Ft. 4M/13.1 Ft. 5M/16.4 Ft.	503E0066L 503E0131L 503E0164L	504E0066L 504E0131L 504E0164L
(braided)*	2M/6.6 Ft. 4M/13.1 Ft. 5M/16.4 Ft.	503E0066AL 503E0131AL 503E0164AL	504E0066AL 504E0131AL 504E0164AL
90 Degree Plug			
(non-braided)	2M/6.6 Ft. 4M/13.1 Ft. 5M/16.4 Ft.	503F0066L 503F0131L 503F0164L	504F0066L 504F0131L 504F0164L
(braided)*	2M/6.6 Ft. 4M/13.1 Ft. 5M/16.4 Ft.	503F0066AL 503F0131AL 503F0164AL	504F0066AL 504F0131AL 504F0164AL
Mating Female Receptacle	303S0010P	304S0010P	305S0010P

* -Braid not electrically connected.