

## Specifications

### Materials:

Body:	PVC
O-Ring:	Nitrile Rubber
Contact Carrier:	Zytel ST801
Contact:	Brass, Gold Plated over Nickel
Coupling Nut:	Machined Aluminum, Black Anodized
Cable:	#22 AWG PVC 26 x #36 Stranding, 105°C or #18 AWG PVC 41 x #34 Stranding, 105°C, UL Recognized, CSA Certified
Cable Diameters:	#22 AWG PVC without braid, 3/C-.18", 4/C-.19", 5/C-.21" #22 AWG PVC with braid, 3/C-.23", 4/C-.25", 5/C-.26" #18 AWG PVC, 3/C-.29", 4/C-.29", 5/C-.29"

### Electrical:

Voltage Rating:	300 VAC
Current Rating:	#22 AWG-4A #18 AWG-5A
Contact Resistance:	≤5mΩ

### Environmental:

Protection:	IP68, NEMA 6P
Operating Temp:	
PVC:	-20°C to 105°C

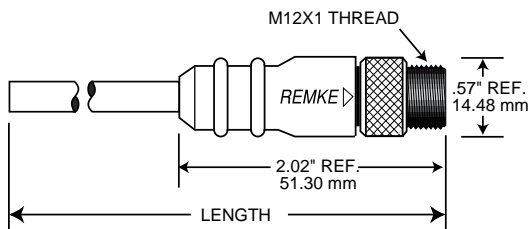
### Certifications:



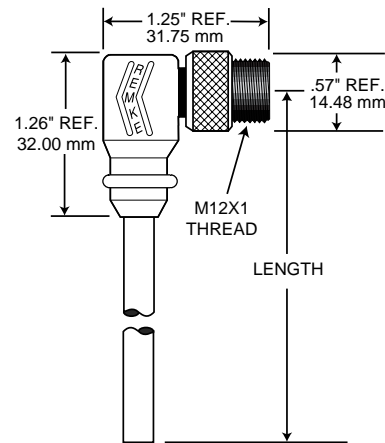
Recognized,  
File No. E165657  
Certified,  
File No. E165657

## Dimensions

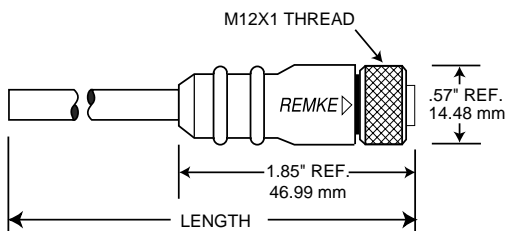
### Male Straight



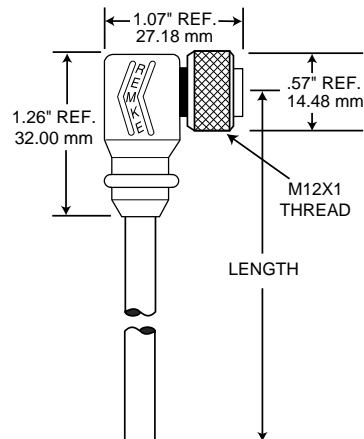
### Male 90 Degree



### Female Straight



### Female 90 Degree



### Options:

- #18 AWG (PVC) Plug Assemblies
- Stainless Steel Couplers
- Plastic Couplers

NUMBER OF POLES	3	4	5
(Female) Contact Rotation			
Wiring Color Code	1-Brown 2-Not Used 3-Blue 4-Black	1-Brown 2-White 3-Blue 4-Black	1-Brown 2-White 3-Blue 4-Black 5-Gray
Wire Gauge (AWG)	#22 (PVC)	#22 (PVC)	#22 (PVC)
FEMALE PLUGS			
<b>Straight Plug</b>			
(non-braided)	2M/6.6 Ft. 4M/13.1 Ft. 5M/16.4 Ft.	303A0066J 303A0131J 303A0164J	304A0066J 304A0131J 304A0164J
(braided)*	2M/6.6 Ft. 4M/13.1 Ft. 5M/16.4 Ft.	303A0066H 303A0131H 303A0164H	304A0066H 304A0131H 304A0164H
<b>90 Degree Plug</b>			
(non-braided)	2M/6.6 Ft. 4M/13.1 Ft. 5M/16.4 Ft.	303C0066J 303C0131J 303C0164J	304C0066J 304C0131J 304C0164J
(braided)*	2M/6.6 Ft. 4M/13.1 Ft. 5M/16.4 Ft.	303C0066H 303C0131H 303C0164H	304C0066H 304C0131H 304C0164H
<b>Mating Male Receptacle</b>	303P0010P	304P0010P	305P0010P
MALE PLUGS			
<b>Straight Plug</b>			
(non-braided)	2M/6.6 Ft. 4M/13.1 Ft. 5M/16.4 Ft.	303E0066J 303E0131J 303E0164J	304E0066J 304E0131J 304E0164J
(braided)*	2M/6.6 Ft. 4M/13.1 Ft. 5M/16.4 Ft.	303E0066H 303E0131H 303E0164H	304E0066H 304E0131H 304E0164H
<b>90 Degree Plug</b>			
(non-braided)	2M/6.6 Ft. 4M/13.1 Ft. 5M/16.4 Ft.	303F0066J 303F0131J 303F0164J	304F0066J 304F0131J 304F0164J
(braided)*	2M/6.6 Ft. 4M/13.1 Ft. 5M/16.4 Ft.	303F0066H 303F0131H 303F0164H	304F0066H 304F0131H 304F0164H
<b>Mating Female Receptacle</b>	303S0010P	304S0010P	305S0010P

\* - Braid not electrically connected.

## Specifications

### Materials:

Body:	PVC
O-Ring:	Nitrile Rubber
Contact Carrier:	Zytel ST801
Contact:	Brass, Gold Plated over Nickel
Coupling Nut:	Machined Aluminum, Black Anodized
Cable:	#22 AWG PVC 26 x #36 Stranding, 105°C, or #18 AWG PVC 41 x #34 Stranding, 105°C, UL Recognized, CSA Certified
Cable Diameters:	#22 AWG PVC without braid, 3/C-.18", 4/C-.19", 5/C-.21" #22 AWG PVC with braid, 3/C-.22", 4/C-.25", 5/C-.26" #18 AWG PVC, 3/C-.29", 4/C-.29", 5/C-.29"

### Electrical:

Voltage Rating:	300VAC
Current:	#22 AWG-4A #18 AWG-5A
Contact Resistance:	≤5mΩ

### Environmental:

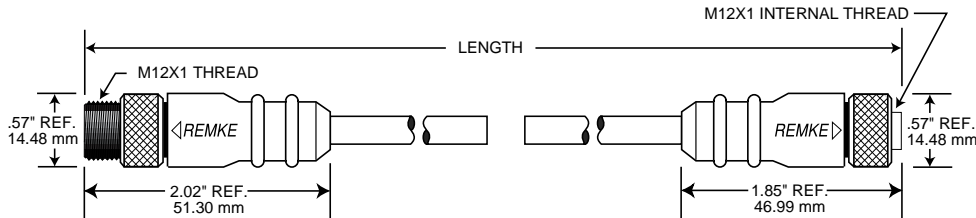
Protection:	IP68, NEMA 6P
Operating Temp:	
PVC:	-20°C to 105°C

### Certifications



Recognized,  
File No. E165657  
Certified,  
File No. E165657

## Dimensions



NUMBER OF POLES	3	4	5
(Female) Contact Rotation			
Wiring Color Code	1-Brown 2-Not Used 3-Blue 4-Black	1-Brown 2-White 3-Blue 4-Black	1-Brown 2-White 3-Blue 4-Black 5-Gray
Wire Gauge (AWG)	# 22 (PVC)	# 22 (PVC)	# 22 (PVC)
<b>Male/Female</b>			
(non-braided)	2M/6.6 Ft. 303K0066J 4M/13.1 Ft. 303K0131J 5M/16.4 Ft. 303K0164J	304K0066J 304K0131J 304K0164J	305K0066J 305K0131J 305K0164J
(braided)*	2M/6.6 Ft. 303K0066H 4M/13.1 Ft. 303K0131H 5M/16.4 Ft. 303K0164H	304K0066H 304K0131H 304K0164H	305K0066H 305K0131H 305K0164H

\* - Braid not electrically connected.

### Options:

- #18 AWG (PVC) Cord Sets
- Plastic Couplers
- Stainless Steel Couplers
- 90° Style Male or Female bodies