

## Pico-Link 8 mm Connectors

Compact Pico-Link Connectors from Remke are available in both snap-style and coupler versions to allow easy and secure connections for the smallest of control devices. They are offered in male or female 3 and 4 pole configurations in either straight or 90° designs. Connector and cable options include PVC for outstanding durability or PUR for superior resistance against oil, abrasions and continuous flexing.



### Typical Applications

- Automotive assembly
- Sensors on conveyors
- Gear tooth sensing
- Material handling equipment
- Packaging equipment

### Typical Products Which Use Pico-Link Connectors

- 8 mm tubular proximity sensors
- Minature photoelectric sensors
- Flow sensors
- Minature modular controls

## Specifications

### Materials:

Connector:	PVC or PUR
Contacts:	Brass, Gold Plated over Nickel
Coupling Nut:	Brass, Nickel Plated
Cable:	0.25 mm <sup>2</sup> PVC or PUR Jacket
Cable Diameter:	3/C - .17" nom., 4/C - .18" nom

### Electrical:

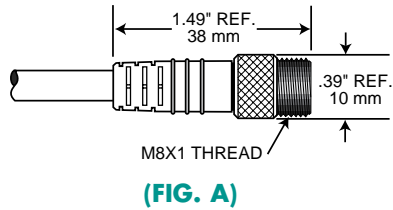
Voltage Rating:	10 to 30 VDC
Contact Resistance:	≤5mΩ
Current Rating:	4A Max.

### Environmental:

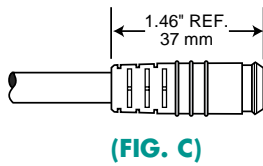
Protection:	IP65 Snap and Coupler Types
Operating Temp:	-25°C to 90°C

## Dimensions

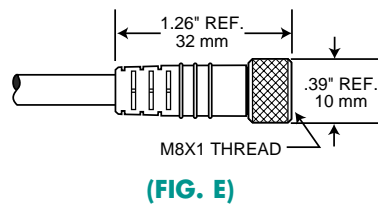
### Male Straight (Coupler-Type)



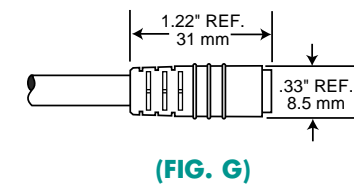
### Male Straight (Snap Type)



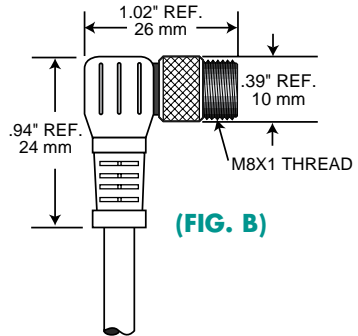
### Female Straight (Coupler-Type)



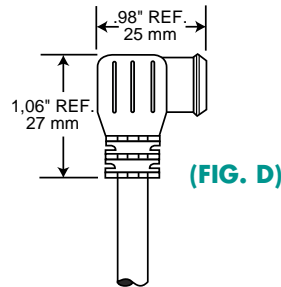
### Female Straight (Snap-Type)



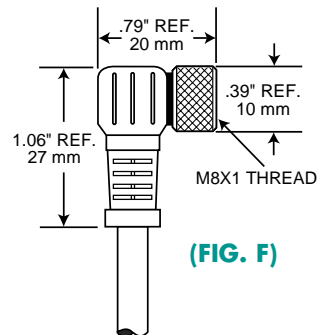
### Male 90 Degree (Coupler-Type)



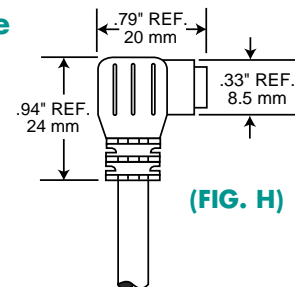
### Male 90 Degree (Snap-Type)



### Female 90 Degree (Coupler-Type)



### Female 90 Degree (Snap-Type)



NUMBER OF POLES	3	4
(Male) Contact Rotation		
Wiring Color Code	1-Brown 3-Blue 4-Black	1-Brown 2-White 3-Blue 4-Black
MALE PLUGS		
<b>Straight (Coupler-Type)</b> (Figure A)		
(PVC)	3M* 5M*	PC03E009811 PC03E016411
(PUR)	3M 5M	PC03E009822 PC03E016422
<b>Straight (Snap-Type)</b> (Figure C)		
(PVC)	3M* 5M*	PS03E009811 PS03E016411
(PUR)	3M 5M	PS03E009822 PS03E016422
<b>90 Degree (Coupler-Type)</b> (Figure B)		
(PVC)	3M* 5M*	PC03F009811 PC03F016411
(PUR)	3M 5M	PC03F009822 PC03F016422
<b>90 Degree (Snap-Type)</b> (Figure D)		
(PVC)	3M* 5M*	PS03F009811 PS03F016411
(PUR)	3M 5M	PS03F009822 PS03F016422

NUMBER OF POLES	3	4
(Female) Contact Rotation		
Wiring Color Code	1-Brown 3-Blue 4-Black	1-Brown 2-White 3-Blue 4-Black
FEMALE PLUGS		
<b>Straight (Coupler-Type)</b> (Figure E)		
(PVC)	3M* 5M*	PC03A009811 PC03A016411
(PUR)	3M 5M	PC03A009822 PC03A016422
<b>Straight (Snap-Type)</b> (Figure G)		
(PVC)	3M* 5M*	PS03A009811 PS03A016411
(PUR)	3M 5M	PS03A009822 PS03A016422
<b>90 Degree (Coupler-Type)</b> (Figure F)		
(PVC)	3M* 5M*	PC03C009811 PC03C016411
(PUR)	3M 5M	PC03C009822 PC03C016422
<b>90 Degree (Snap-Type)</b> (Figure H)		
(PVC)	3M* 5M*	PS03C009811 PS03C016411
(PUR)	3M 5M	PS03C009822 PS03C016422

\* Stocking Items